

THE ROTATABLE LCS5R-1 OPERATOR STAND MEETS THE HIGHEST DEMAND OF COMFORT AND QUALITY.

THE STANDARD DESIGN INCLUDES THE FOLLOWING:

EQUIPMENT BOXES:

THE TOP LID WITH THE DEVICES CAN BE RAISED FOR EASY ACCESS TO THE TERMINAL STRIP.

THE ARM RESTS ARE ATTACHED TO THE SEAT.

SEAT:

COMFORTABLE SPRING MOUNTED SEAT CSS-G1 WITH A HYDRAULIC SHOCK ABSORBER, WEIGHT ADJUSTMENT. AIR PERMEABLE ARTIFICIAL LEATHER OR TEXTILE MATERIAL.

MANUAL ADJUSTMENTS:

SEAT HORIZONTALLY AND VERTICALLY, INCLINATION OF CUSHION, BACK REST AND ARM RESTS ALSO ADJUSTABLE, WEIGHT SETTING FOR OPTIMUM SPRING SUSPENSION.

CROSS MEMBER:

THE TOP CAN BE RAISED TO LAY WIRING. THE SEAT CAN BE TILTED FORWARD SO THAT THE WIRING IN THE CROSS MEMBER IS ACCESSIBLE.

SWIVEL BASE:

ZERO END FLOAT SPRING LOADED BEARING. ROTATION MOVEMENT 90° LEFT, 180° RIGHT STOPPED BY A FRICTION BRAKE.

AN ELECTRICAL ROTATION IS AVAILABLE.

SURFACE TREATMENT: ANTI-CORROSION PRIMER, TOP COAT:

2 COATS OF EPOXY-RESIN PAINT, STANDARD COLOUR RAL 7032 PEBBLE GREY. ALL NON-PAINTED METAL PARTS ARE ELECTROGALVANIZED AND CHROMED.

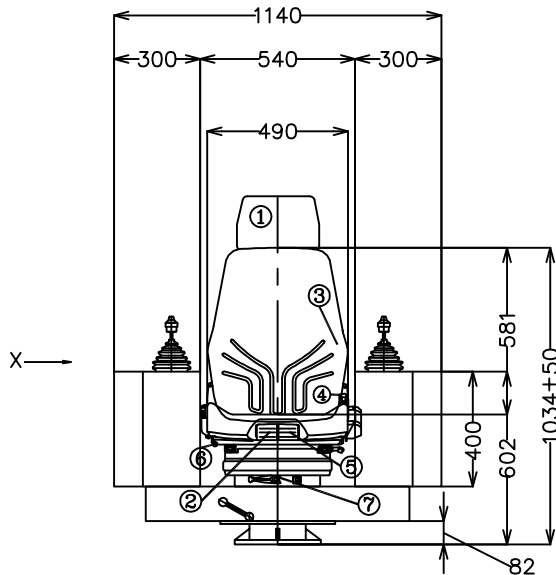
OPERATION -40° TO +60°C
STORAGE -50° TO +80°C
DEGREE OF PROTECTION IP54

OPTIONS

POS.	DESCRIPTION	TYPE
3	STANDARD CONTROL STATION WITH CUT CORNERS 300 x 620 mm EQUIPMENT BOXES	LCS5R-CC
4	STANDARD CONTROL STATION WITH CUT CORNERS CUSTOM DESIGNED EQUIPMENT BOXES	LCS5R-CCx
5	ADDITIONAL VARIATIONS FOR DRIVER'S SEAT CSS-I1. SEE PAGE 8.50.1	
6	OTHER DRIVER'S SEATS SEE PAGES 8.50, 8.51 & 8.52	
7	MONITOR MOUNTING SUPPORT LEFT OR RIGHT	MM
8	FOOT REST MOUNTED ONTO SWIVEL BASE ADJUSTABLE ±15 mm	FR
9	BASE FOR HORIZONTAL MANUAL ADJUSTMENT OF CONTROL STATION. ADJ. 465mm. ADD 58 mm TO HEIGHT	MB
10	MANUAL ADJUSTMENT OF EQUIPMENT BOXES HORIZONTAL ADJUSTABLE ±75 mm	EBH
11	MANUAL ADJUSTMENT OF CONTROL STATION VERTICAL (GAS LOADED SPRING) ADJUSTABLE 80mm	CSV
12	MOTORIZED ADJUSTMENT OF CONTROL STATION ROTATION 24V DC SEAT HEIGHT +30 mm	MR
13	MASTER SWITCHES SEE SECTIONS 1 TO 4	MS
14	EXTRA DEVICES 22.5 mm	XD
15	WIRING TO TERMINAL STRIP	W
16	SPECIAL PAINT	SP



ARM RESTS ARE MOUNTED ON THE SEAT.

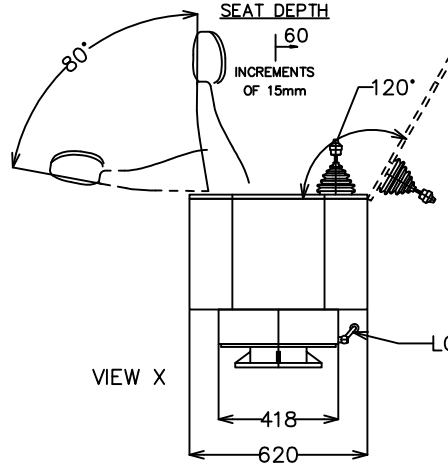


SEAT MOVEMENT

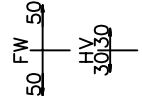
90,120
INCREMENTS
OF 10mm

SEAT DEPTH

60
INCREMENTS
OF 15mm



FW=SUSPENSION
STROKE



HV=HEIGHT
ADJUSTMENT

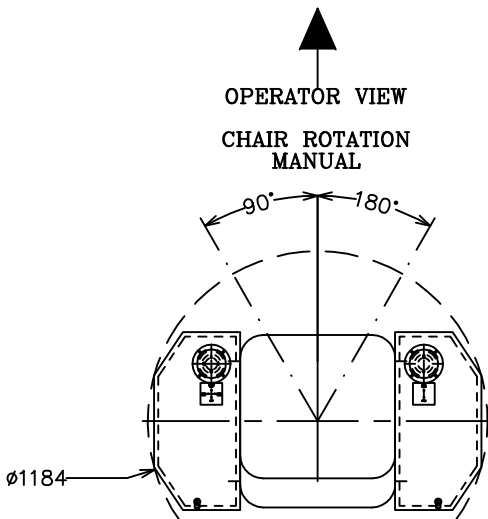
VIEW X

LOCK FOR ROTATION

SEAT ADJUSTMENTS

1	HEADREST
2	SEAT CUSHION
3	LUMBAR SUPPORT
4	BACKREST
5	SEAT HEIGHT & SLOPE
6	SLIDE FRONT & REAR
7	SUSPENSION ADJUSTMENT 50-130Kgs

OPERATOR VIEW
CHAIR ROTATION
MANUAL



MOUNTING DIMENSIONS

