

# Control pedestal for offshore U22 / 32

The control pedestal U22 / 32 accomodate the devices necessary for control and monitoring.  
Ready wired, it can be quickly and easily installed on the sea deck.  
The housing (pedestal head) is made of seawater-resistant aluminium.

Surface treatment:  
Priming and structure-finishing paint  
Standard colour RAL 7032 pebble-grey



## Technical data:

Operation temperature	-40°C to +60°C
Degree of protection	IP66

Example

		U22 / 32	/	N61... / N62...	/	H / PW / 2D	/	PQ	/	KLV	/	X
<b>Housing</b>												
U22/32		With 1 narrow side-plate with pillar-gasket										
FD		Side-plate narrow gasket										
HD		Side-plate wide gasket (required for command and indicating devices)										
KD		Hinged side-plate with gasket that can be locked in position										
IA		Monitoring devices cover with gasket for max. 2 monitors 72x72 mm or 4 monitors 72x36mm and max. 6 indicating devices pos. 28, 29										
RS		Pillar 108mm Ø 670mm height with flange quadratic or round										
<b>Masterswitch / Control-switch</b>												
N61		HG Masterswitch with ball handle and indicating labels										
N62		KN Control-switch with knob and indicating label										
			- HG	- 01 Z P		- A05		P134				- X
<b>Axis 1: direction 3-4</b>												
		(Standard contacts gold-plated 2A 250V AC15)										
01	2 contacts	Standard contact - arrangement see page 131										
02	4 contacts	z.B.										
03	6 contacts	A05		MS21								
04	8 contacts	A0500		MS21-00								
		<i>A99 contact - arrangement according customer request</i>										
Z	Spring return											
R	Friction brake											
P	Potentiometer	P131	T396 2x0,5kOhm	I max. 1mA								
		P132	T396 2x1kOhm	I max. 1mA								
		P133	T396 2x2kOhm	I max. 1mA								
		P134	T396 2x5kOhm	I max. 1mA								
		P135	T396 2x10kOhm	I max. 1mA								
		<i>More potentiometers on request!</i>										

Technical details may vary based on configuration or application! Technical data subject to change without notice!

U22 / 32 / N61.../N62... / H / PW / 2D / PQ / KLV / X

### Command and indicating devices

H	Heating	20 Watt 220 or 110V 50/60 Hz	
PV	Mushroom head push button latching	22 latching with indicating label	1 NC
P	Mushroom head push button	22 with indicating label	1 NO
D	Push button	22 with indicating label	1 NO
W	Selector switch 0-1	22 with indicating label	1 NO
L	Indicator light	22 with indicating label	Diode 24 Volt
L	Indicator light	22 with indicating label	Diode 230 Volt AC
	Contact block additional		1 S or 1 Ö
L	Indicator light	22 with indicating label	Diode 24 Volt protection IP65
L	Indicator light	10 with indicating label	Diode 24 Volt protection IP65

### Display devices

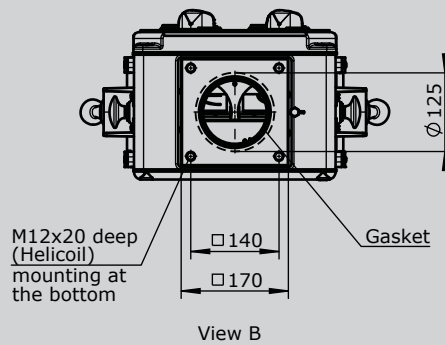
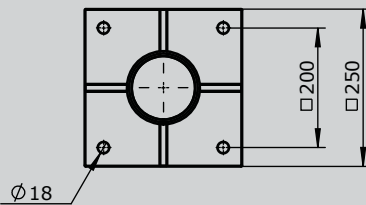
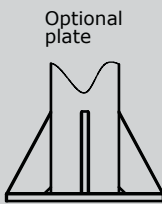
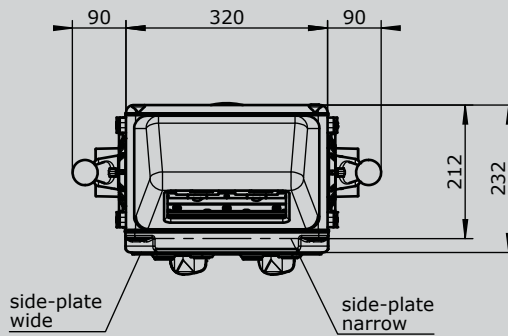
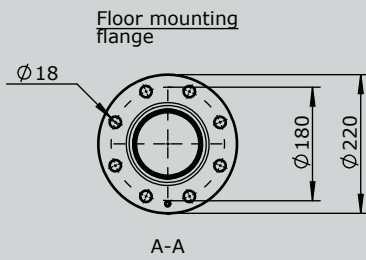
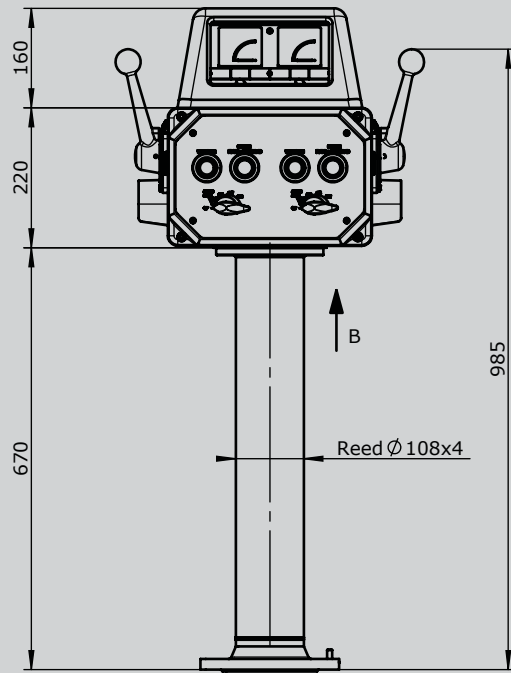
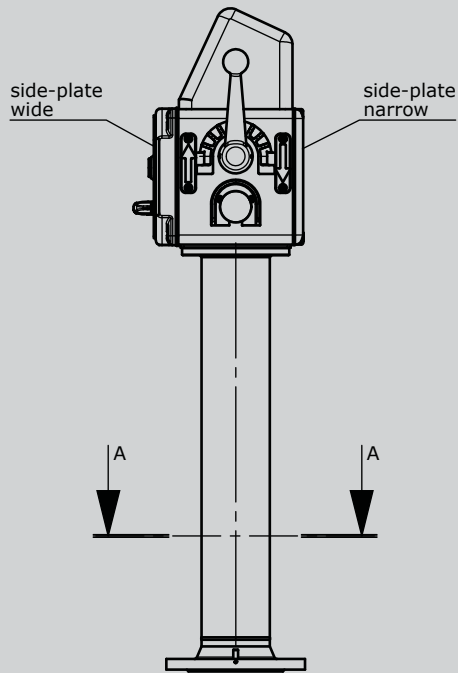
PQ	Powermeter PQ 72 1mA DC	Engraved your instructions
PQI	Powermeter PQ 72 1mA DC illuminated 24 Volt	Engraved your instructions
PQ	Powermeter PQ 72x36 1mA DC	Engraved your instructions
PQI	Powermeter PQ 72x36 1mA DC illuminated 24 Volt	Engraved your instructions
EQ	Amperemeter EQ 72 100/200/1A	Engraved your instructions
EQI	Amperemeter EQ 72 100/200/1A illuminated 24 Volt	Engraved your instructions
EQ	Amperemeter EQ 72x36 100/200/1A	Engraved your instructions
EQI	Amperemeter EQ 72x36 100/200/1A illuminated 24 Volt	Engraved your instructions

### Wiring

KLV on terminal block 2,5mm<sup>2</sup> with wire line 0,75mm<sup>2</sup>

### Special model

X Special / customer specified



3