

Driver seat KFS 8



The crane driver`s seat KFS 8 is a static seat with ergonomically designed and provides a high grade of comfort. The driver`s seat is equipped with roller-bearing swivel system. All adjustment controls are positioned ergonomically within easy access. The metal parts are protected against corrosion and painted black.

Technical data:

Horizontal adjustment	150mm
Inclination of the backrest	max. 28°
Height adjustment	65mm



Example

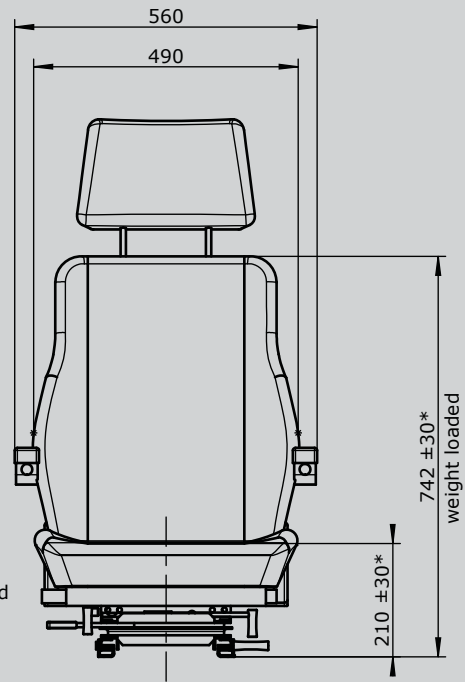
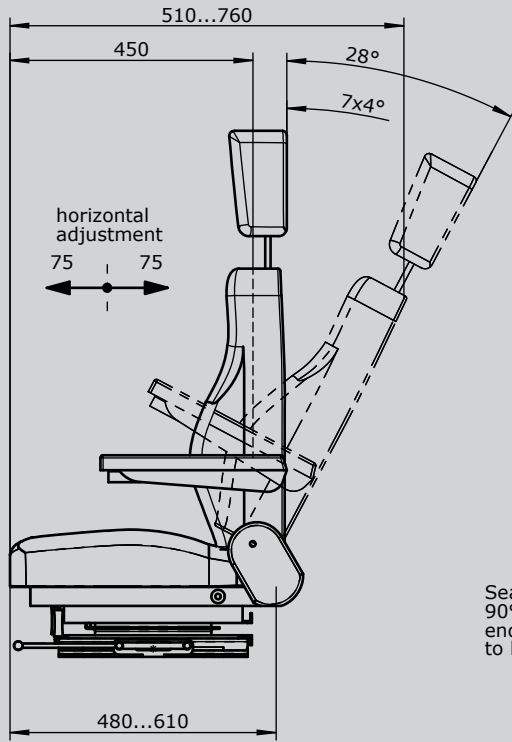
KFS 82 - A1 - S1 - U

Driver seat

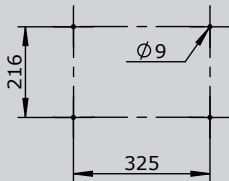
KFS 82 Driver seat with textile cover grey / black

Attachments

K	Headrest
A1	Armrest fully adjustable (2 pieces) 50mm wide
A2	Armrest fully adjustable (2 pieces) 100mm wide
S1	Safety belt 2-point mounting (automatic)
S3	Safety belt 2-point mounting (static)
U	Base frame (Apron)



Mounting dimensions of the seat rails



* adjustable

