

Driver seat KFS 4



The crane driver`s seat KFS 4 has stepless high adjustment by means of a gas-loaded spring and an oil-hydraulic vibration absorption system with weight adjustment. The backrest can be tilted, forwards into the cushion, which in turn can then be tilted 90° sideways. All functions are performed by a simple lever operation. The metal parts are protected against corrosion and painted black.

Technical data:

Suspension stroke	80mm
Weight adjustment	50 - 130kg
Horizontal adjustment	100mm
Inclination of the backrest	max. 20°
Height adjustment	100mm



Example

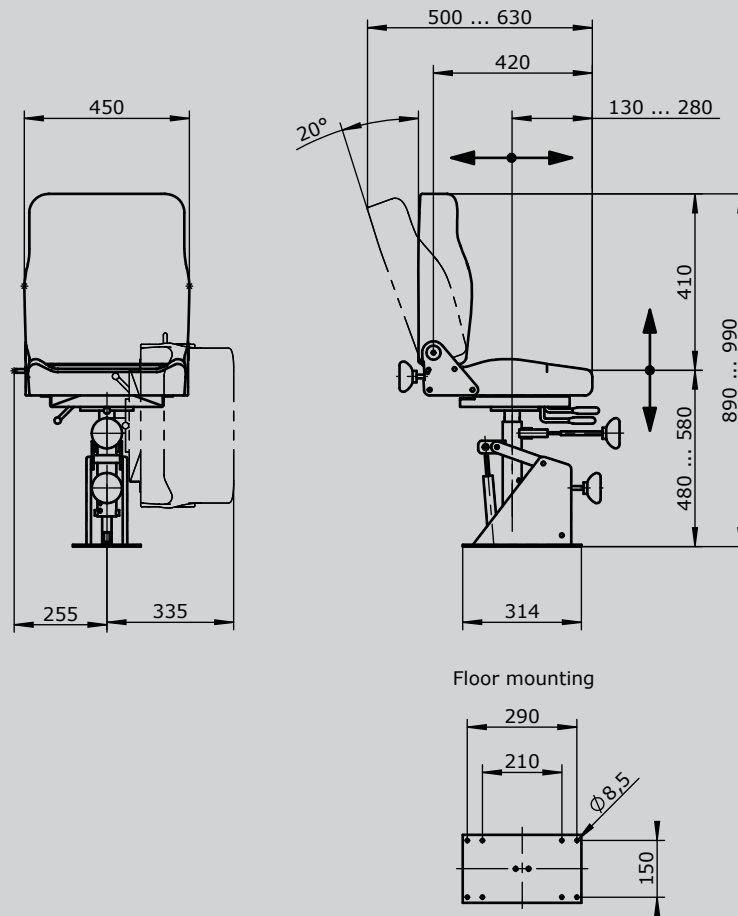
KFS 42 - A1

Driver seat

- KFS 41 Driver seat with air-permeable artificial leather cover black
- KFS 42 Driver seat with textile cover grey / black

Attachments

- A1 Armrest fully adjustable (2 pieces) 50mm wide
- A2 Armrest fully adjustable (2 pieces) 100mm wide



3