

Driver seat KFS 2



The crane driver`s seat KFS 2 has stepless high adjustment by means of a gas-loaded spring. The backrest can be tilted, forwards onto the cushion, which in turn can then be tilted 90° sideways. All these functions are performed easily via levers.

Technical data

Horizontal adjustment	100mm
Inclination of the backrest	max. 10°
Height adjustment	120mm

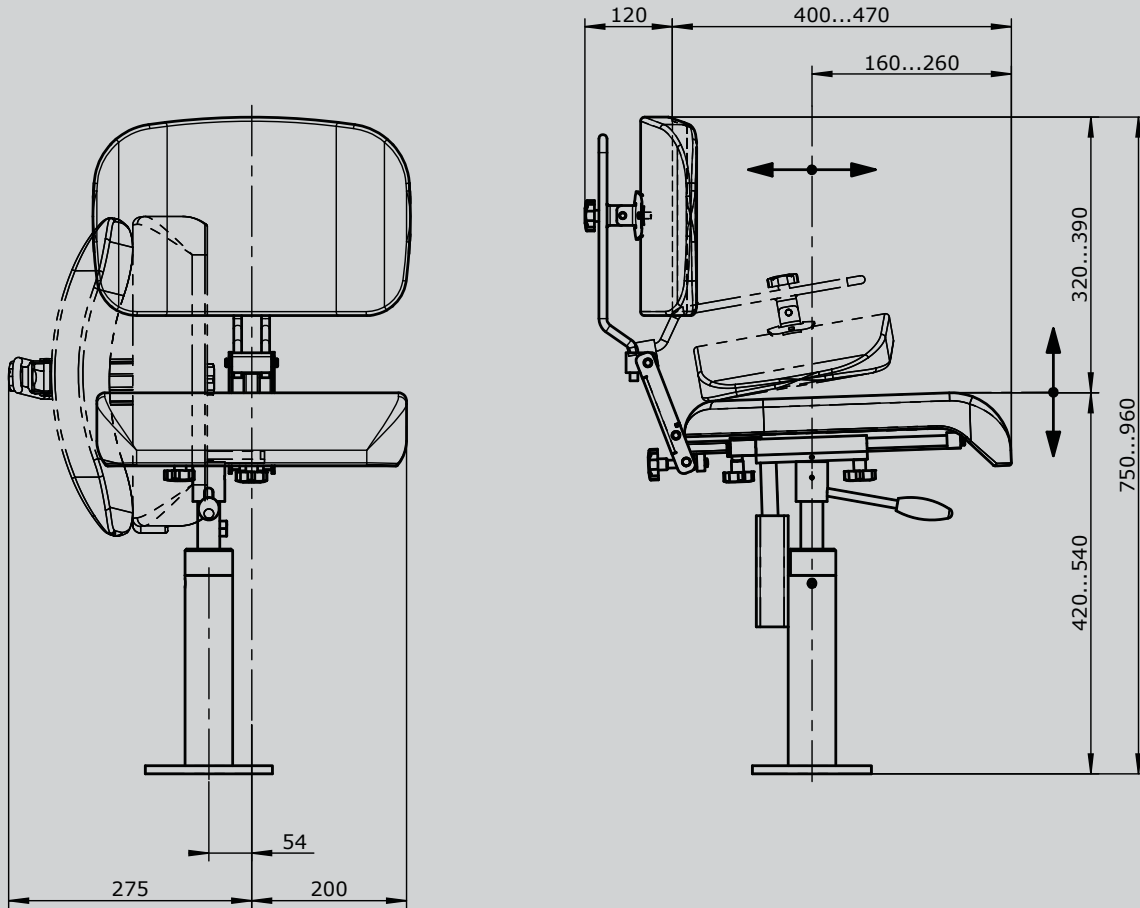


Example

KFS 22

Driver seat

- KFS 21 With air-permeable artificial leather cover black
- KFS 22 With textile cover grey / black



Floor mounting

