

# Driver seat KFS 10



The crane driver`s seat KFS 10 is ergonomically designed and provides a high grade of comfort.

The driver`s seat has a pneumatic vibration absorption system with weight adjustment by compressor (24V DC 8 Ampere) and a standard seat cushion V-cut.

Through its three horizontal adjustment, it can be flexibly adapted to very many applications.

All adjustment controls are positioned ergonomically within easy access.

The metal parts are protected against corrosion and painted black.



## Technical data:

Suspension stroke	80mm
Weight adjustment	50 - 150kg (pneumatic) 50 - 130kg (mechanical)
Horizontal adjustment	
Seat with suspension system	160mm
Seat part individual	240mm
Seat cushion	160mm
Inclination of the backrest	max. 90°
Height and slope adjustment	40mm

Example

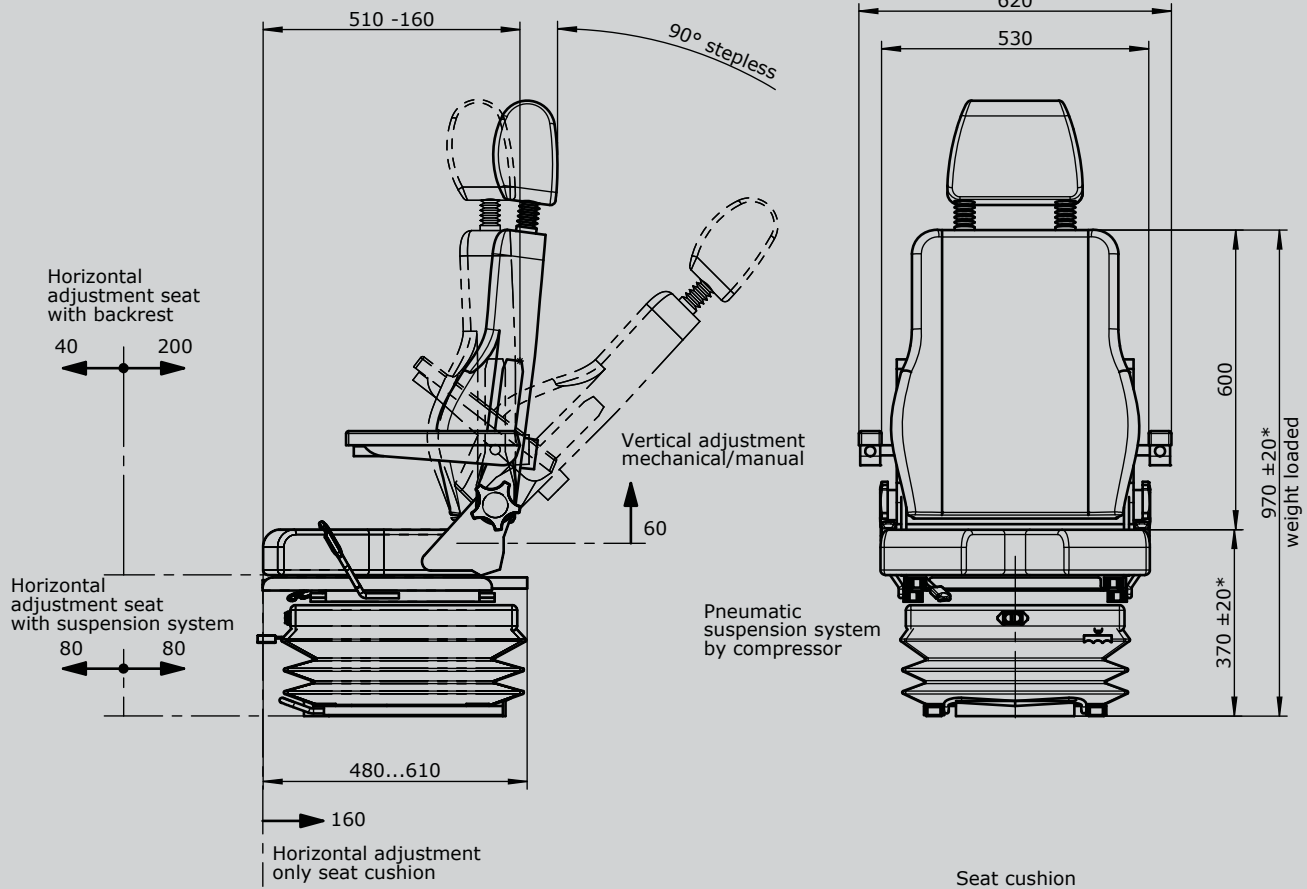
KFS 102 - A1 - L2 - S2 - R1

## Driver seat

KFS 101	Driver seat with air-permeable artificial leather cover black with V-cut
KFS 102	Driver seat with textile cover grey / black with V-cut

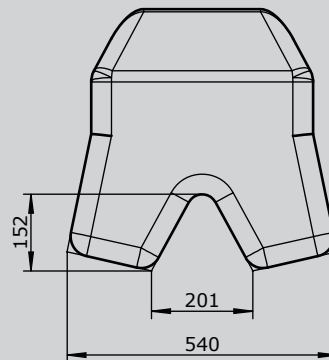
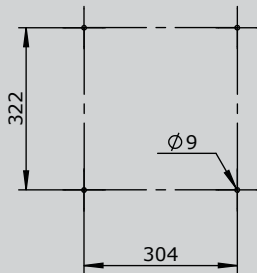
## Attachments

K	Headrest
A1	Armrest adjustable (2 pieces) 50mm wide
A2	Armrest continuously adjustable (2 pieces) 100mm wide
L1	Lumbar support manual adjustment - 2 movement
L2	Lumbar support manual adjustment - 4 movement
B	Seat allocation recognition
H	Seat cushion and backrest with heating element 24V DC 47W
S1	Safety belt 2 point fixing (automatic)
S2	Safety belt 4 point fixing (headrest required)
S3	Safety belt 2 point fixing (static)
U	Console (base)
C3	Loose cover for driver seat KFS 10 with V-cut
R1	Price reduction pneumatic vibration absorption system
R2	Seat cushion without V-cut



Seat cushion  
V-cutout

Mounting dimensions seat



\* adjustable