

# Palm grip B28



The palm grip B28 has different equipment options for many requirements. It is compatible with our multi-axis and single-axis controller or mounted on hydraulic drives. The palm grip has a highly flexible single wire (0,1 qmm, 450 mm long). The mounting piece for the drive rod can be supplied with a tapped hole 10 mm (standard).



## Technical data

Operating temperature -40°C til +60°C  
Degree of protection IP 54

2

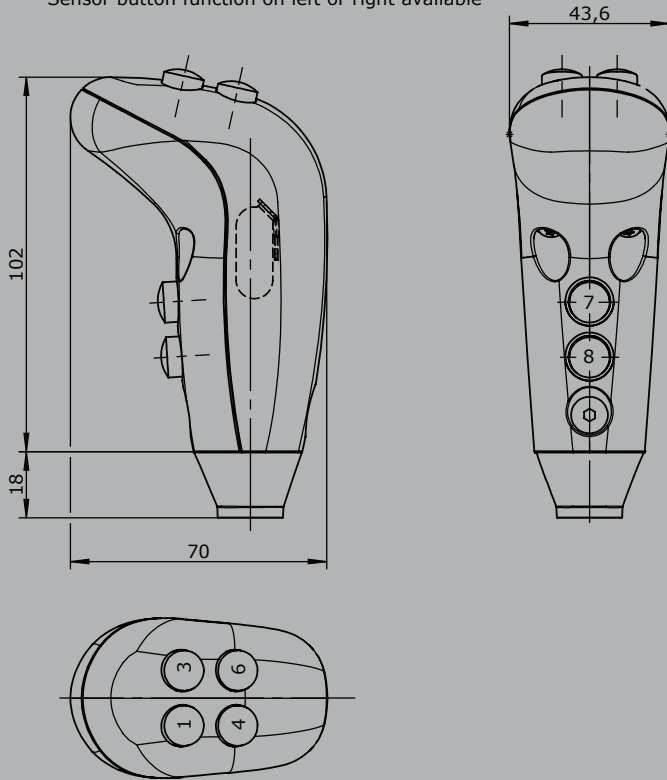
Example

	B28	- 2D	SE	- X
<b>Basic unit</b>				
B28 Palm grip				
<b>Digital actuating element</b>				
D Push button (1,5A 24VDC13) Colour: red, black, yellow, green, blue, grey				
SE Sensor button capacitiv with external control electronics				
S Sensor button capacitiv without external control electronics (consistent with V85/VV85 and V25 with interface E4xx+E5xx)				
<b>Special model</b>				
X Special / customer-specific				

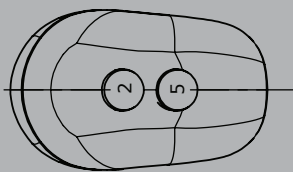
# Palm grip

## B28

Edition:  
Push button installed  
Pos. 1,3,4,6,7,8  
Sensor button function on left or right available



Edition:  
Push button installed  
Pos. 2,5,7,8  
Sensor button function on left or right available



Edition:  
Push button installed  
Pos. 7,8,9,10  
Sensor button function on left or right available

