

# Multi-axis controller V8 / VV8



The multi-axis controller V8/VV8 is available in either single-axis or multi-axis options and is a robust controller used commonly in electro-hydraulic applications. With many output options including voltage, amperage and switch contacts and many handle options the V8 / VV8 series is hugely customisable. The V8 / VV8 is resistant to oil, maritime conditions e.g. offshore / vessels, UV radiation typically from the sun.



1

## Technical data

Mechanical life V8	10 million operating cycles
Mechanical life VV8	20 million operating cycles
Operation temperature	-40°C to +60°C
Storage temperature	-50°C to +80°C
Degree of protection	IP54

	VV8	S5	P	T	- 2RP	+ 3ZP	- B	- A05 P184	+ A050 P184	E9012	- X
<b>Basic unit</b>	VV8										
	2-axis, reinforced version										
<b>Control-handle extended</b>											
	Standard										
S5											
	-20mm										
S8											
	+20mm										
<i>*Only available in combination with handle!</i>											
<b>Gate</b>											
P	Cross gate										
P X	Special gate										
<b>Grip / palm grip</b>											
T	Dead man										
<b>Axis 1</b>											
2	Contacts										
R	Friction brake										
P	Potentiometer										
<b>Axis 2</b>											
3	Contacts										
Z	Spring return										
P	Potentiometer										
<b>Cover housing</b>											
B	Cover housing										
<b>Description axis 1 (direction 1-2)</b>											
A050	Arrangement MSP21-0										
P184	Potentiometer T301 2x5kOhm										
<b>Description axis 2 (direction 3-4)</b>											
A05	Arrangement MSP21										
P184	Potentiometer T301 2x5kOhm										
<b>Interface (description see on the following pages)</b>											
E9012	Potentiometer output for proportional valve PVG32										
<b>Special model</b>											
X	Special / customer specified										

Technical details may vary based on configuration or application! Technical data subject to change without notice!

### Combination possibilities with our handles



	VV8	S5	P	T	- 2 R P +	3 Z P - B -	A05 P184 +	A050 P184	E9012 -	X
<b>Basic unit</b>										
V81	1-axis									
V8	2-axis									
	reinforced version									
VV81	1-axis									
VV8	2-axis									
<b>Control-handle extended</b>										
S5	-20mm									
S8	+20mm									
<b>Gate</b>										
P	Cross gate									
P X	Special gate									
<b>Grip/ palm grip</b>										
	Knob <i>(included in basic unit!)</i>									
M	Mechanical zero interlock									
MH	Mechanical zero interlock + signal contact									
T	Dead man									
H	Signal button									
D	Push button									
DV	Flush push button									
B...	Palm grip B... <i>(see page palm grip 147)</i>									
<b>Axis 1: direction 1-2</b>										
1	1 contact	Standard contact - arrangement see page 131								
2	2 contacts	e.g.								
3	3 contacts	A98	MS0	Zero position contact						
		A05	MS21	Direction contacts						
		A050	MS21-0	Direction contacts + zero position contact						
Z	Spring return									
R	Friction brake only possible with VV8!									

Technical details may vary based on configuration or application! Technical data subject to change without notice!

1

(P)	Mounting options for potentiometer		
P	Potentiometer	P181	T301 2x0,5kOhm I max. 1mA
		P182	T301 2x1kOhm I max. 1mA
		P183	T301 2x2kOhm I max. 1mA
		P184	T301 2x5kOhm I max. 1mA
		P185	T301 2x10kOhm I max. 1mA
		<i>More potentiometers on request!</i>	
H	Hall-Potentiometer	E10311	0,5...2,5...4,5V/4,5V...2,5...0,5

If both axis identical, it`s enough to describe one axis!

Example: ...A05P43 + A05P43 => A05P43

VV8 S5 P T - 2 R P + 3 Z P - B - A05 P184 + A050 P184 E9012 - X

**Axis 2: direction 3-4 (not applied for V81/VV81)**

01	1 contact	Standard contact - arrangement see page 131	
02	2 contacts	e.g.	
03	3 contacts	A98	MS0 Zero position contact
		A05	MS21 Direction contacts
		A050	MS21-0 Direction contacts + zero position contact
Z	Spring return		
R	Friction brake only possible with VV8!		
(P)	Mounting options for potentiometer		
P	Potentiometer	P181	T301 2x0,5kOhm I max. 1mA
		P182	T301 2x1kOhm I max. 1mA
		P183	T301 2x2kOhm I max. 1mA
		P184	T301 2x5kOhm I max. 1mA
		P185	T301 2x10kOhm I max. 1mA
		<i>More potentiometers on request!</i>	
H	Hall-Potentiometer	E10311	0,5...2,5...4,5V/4,5V...2,5...0,5

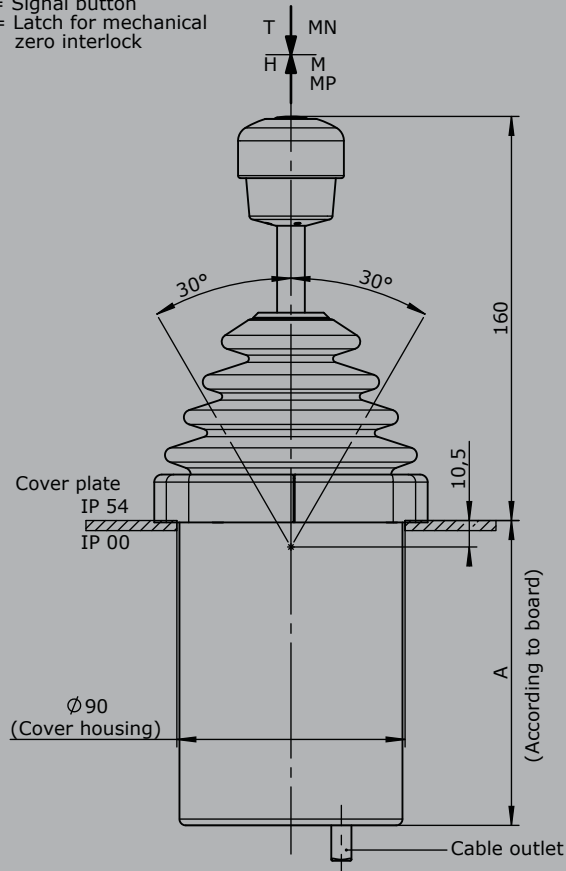
VV8 S5 P T - 2 R P + 3 Z P - B - A05 P184 + A050 P184 E9012 - X

<b>Cover housing</b>	
B	Cover housing

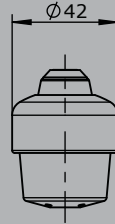
<b>Interface</b>	
Potentiometer output	
E901	Potentiometer output for proportional valve PVG32
0,25...0,5...0,75Us	
1	1 axis
2	2 axis
3	3 axis
4	4 axis

<b>Special model</b>	
X	Special / customer specified

T = Dead man's button  
 H = Signal button  
 M = Latch for mechanical zero interlock

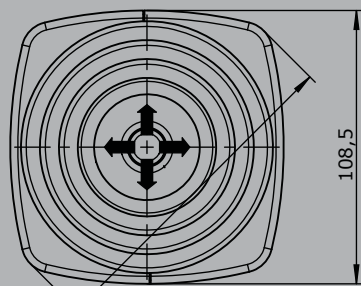
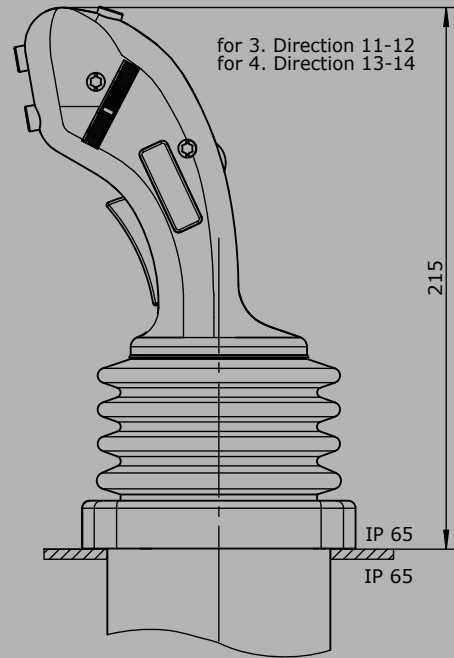


Knob solid  
 D = Push button

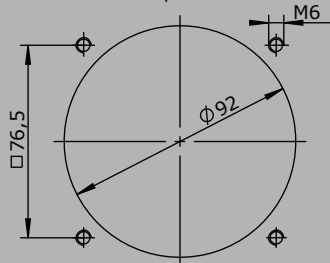


Palm grip B3

for 3. Direction 11-12  
 for 4. Direction 13-14



Hole pattern



Palm grip B25

