

Multi-axis controller V6 / VV6



The multi-axis controller V6 / VV6 is available in either single-axis or multi-axis options and is a robust controller used commonly in electro-hydraulic applications. The modular design and many possibilities of combination with our handles enables the switching device to be used universally. The V6 / VV6 is resistant to oil, maritime conditions e.g. offshore / vessels, UV radiation typically from the sun.

Technical data

| | |
|-----------------------|-----------------------------|
| Mechanical life V6 | 10 million operating cycles |
| Mechanical life VV6 | 20 million operating cycles |
| Operation temperature | -40°C to +60°C |
| Storage temperature | -50°C to +80°C |
| Degree of protection | IP54 front |



| | V62L | S5 | P | T | Example | | | | | - X |
|---|------|----|---|---|----------|-----------|------------|------------|--|-----|
| | | | | | - 01 Z P | + 03A R C | - A05 P134 | + A110 C01 | | |
| Basic unit | | | | | | | | | | |
| V62L 2-axis left | | | | | | | | | | |
| Control-handle extended | | | | | | | | | | |
| S5 -20mm | | | | | | | | | | |
| Gate | | | | | | | | | | |
| P Cross gate | | | | | | | | | | |
| Grip / palm grip | | | | | | | | | | |
| T Dead man | | | | | | | | | | |
| Axis 1 (direction 1-2) | | | | | | | | | | |
| 01 2 contacts (2A 250V AC15) | | | | | | | | | | |
| Z Spring return | | | | | | | | | | |
| P Potentiometer | | | | | | | | | | |
| Axis 2 (direction 3-4) | | | | | | | | | | |
| 03A 6 contacts (4A 250V AC15) | | | | | | | | | | |
| R Friction brake | | | | | | | | | | |
| C Opto-electronical encoder | | | | | | | | | | |
| Description axis 1 (direction 1-2) | | | | | | | | | | |
| A05 Arrangement MS21 | | | | | | | | | | |
| P134 Potentiometer T396 2x5kOhm | | | | | | | | | | |
| Description axis 2 (direction 3-4) | | | | | | | | | | |
| A110 Arrangement MS24-0 | | | | | | | | | | |
| C01 OEC 2-1-1 | | | | | | | | | | |
| Special model | | | | | | | | | | |
| X Special / customer specified | | | | | | | | | | |

Combination possibilities with our handles



1

V62L S5 P T - 01 Z P + 03A R C - A05 P134 + A110 C01 - X

Basic unit

| | |
|--------------------|--------------|
| V61L | 1-axis left |
| V61R | 1-axis right |
| V61.1 | 1-axis |
| V64.1 | 1-axis |
| V62L | 2-axis left |
| V62R | 2-axis right |
| V64 | 2-axis |
| reinforced version | |
| VV61L | 1-axis left |
| VV61R | 1-axis right |
| VV61.1 | 1-axis |
| VV64.1 | 1-axis |
| VV62L | 2-axis left |
| VV62R | 2-axis right |
| VV64 | 2 axis |

Control-handle extended*

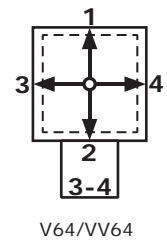
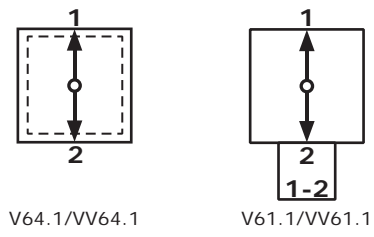
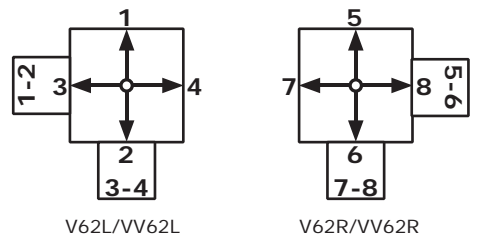
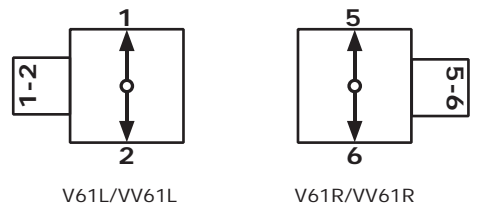
| | |
|----|----------------|
| | Standard 180mm |
| S3 | -40mm |
| S5 | -20mm |
| S8 | +20mm |

**Only available in combination with handle!*

Gate

| | |
|-----|--------------|
| P | Cross gate |
| P X | Special gate |

Identification of the installation variants with switching directions:



V62L S5 P T - 01 Z P + 03A R C - A05 P134 + A110 C01 - X

Grip / palm grip

| | |
|------|---|
| | Knob <i>(included in basic unit!)</i> |
| M | Mechanical zero interlock |
| MN | Mechanical zero interlock (push down) |
| T | Dead man |
| MT* | Mechanical zero interlock + dead man |
| H | Signal button |
| MH | Mechanical zero interlock + signal button |
| D | Push button |
| MD* | Mechanical zero interlock + push button |
| DV | Flush push button |
| MDV* | Mechanical zero interlock + flush push button |

*Only possible with VV6!

B... Palm grip B... *(see Palm grip page 147)*

Attention! When usage some handles reduces the deflection angle to 28 degrees!

V62L S5 P T - 01 Z P + 03A R C - A05 P134 + A110 C01 - X

Axis 1: direction 1-2 left / direction 5-6 right

(Standard contacts gold-plated 2A 250V AC15)

| | | | |
|----|--|--|---------|
| 01 | <input type="checkbox"/> 2 contacts | Standard contact - arrangement see page 131 | |
| 02 | <input type="checkbox"/> 4 contacts | z.B. | |
| 03 | <input type="checkbox"/> 6 contacts | A980 | MS00 |
| 04 | <input type="checkbox"/> 8 contacts | A05 | MS21 |
| 05 | <input type="checkbox"/> 10 contacts | A0500 | MS21-00 |
| 06 | <input type="checkbox"/> 12 contacts | A110 | MS24-0 |
| | <input checked="" type="checkbox"/> = silver contacts (4A 250V AC15) | A99 contact - arrangement according customer request | |

Z Spring return

R Friction brake

(P) Possibility of mounting potentiometer and encoder (Gessmann-types)

| | | | | |
|---|---------------|------|----------------|------------|
| P | Potentiometer | P131 | T396 2x0,5kOhm | I max. 1mA |
| | | P132 | T396 2x1kOhm | I max. 1mA |
| | | P133 | T396 2x2kOhm | I max. 1mA |
| | | P134 | T396 2x5kOhm | I max. 1mA |
| | | P135 | T396 2x10kOhm | I max. 1mA |

More potentiometers on request!

C Encoder C... Encoder see page 137

If both axis identical, it's enough to describe one axis!
 Example A05P134 + A05P134 => A05P134

V62L S5 P T - 01 Z P + 03A R C - A05 P134 + A110 C01 - X

Axis 2: direction 3-4 left / Direction 7-8 right

(not applicable for V/VV61, V/VV61.1, V/VV64.1)

(Standard contacts gold-plated 2A 250V AC15)

| | | | | |
|----|--------------------------|--|--|---------|
| 01 | <input type="checkbox"/> | 2 contacts | Standard contact - arrangement see page 131 | |
| 02 | <input type="checkbox"/> | 4 contacts | z.B. | |
| 03 | <input type="checkbox"/> | 6 contacts | A980 | MS00 |
| 04 | <input type="checkbox"/> | 8 contacts | A05 | MS21 |
| 05 | <input type="checkbox"/> | 10 contacts | A0500 | MS21-00 |
| 06 | <input type="checkbox"/> | 12 contacts | A110 | MS24-0 |
| | | <input checked="" type="checkbox"/> = Silver contacts (4A 250V AC15) | A99 contact - arrangement according customer request | |

Z Spring return

R Friction brake

(P) Possibility of mounting potentiometer and encoder (Gessmann-types)

| | | | | |
|---|---------------|--|----------------|------------|
| P | Potentiometer | P131 | T396 2x0,5kOhm | I max. 1mA |
| | | P132 | T396 2x1kOhm | I max. 1mA |
| | | P133 | T396 2x2kOhm | I max. 1mA |
| | | P134 | T396 2x5kOhm | I max. 1mA |
| | | P135 | T396 2x10kOhm | I max. 1mA |
| | | <i>More potentiometers on request!</i> | | |

C Encoder C... Encoder see page 137

V62L S5 P T - 01 Z P + 03A R C - A05 P134 + A110 C01 - X

Special model

X Special /customer specified

Attachments

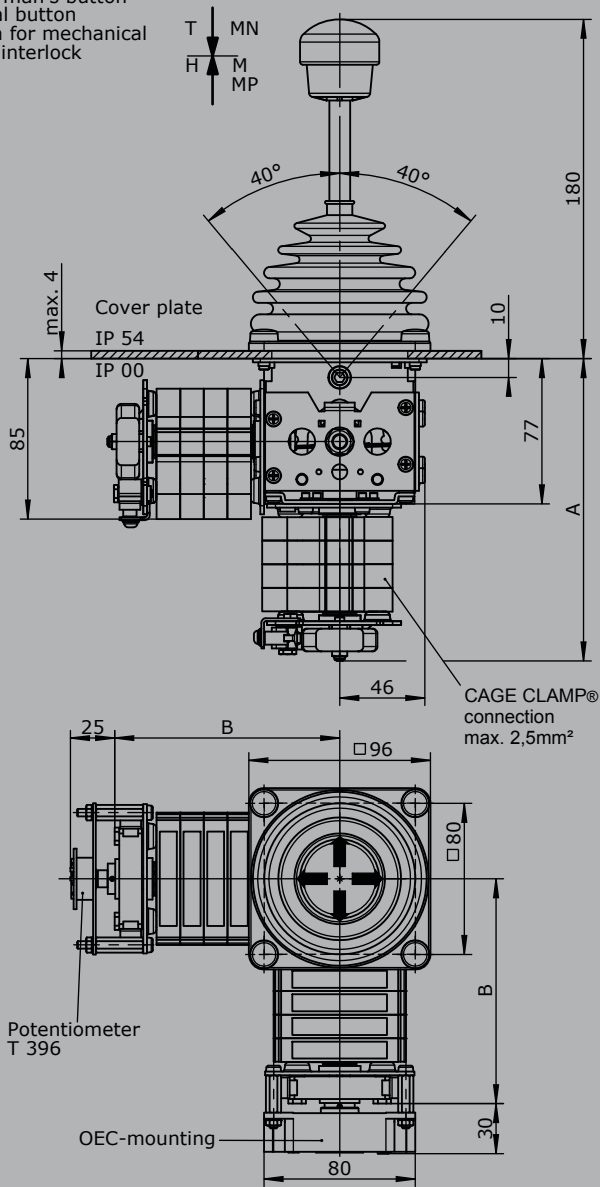
Indicating labels

Indicating labels with engraving

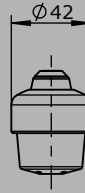
Multi-axis controller

V6 / VV6

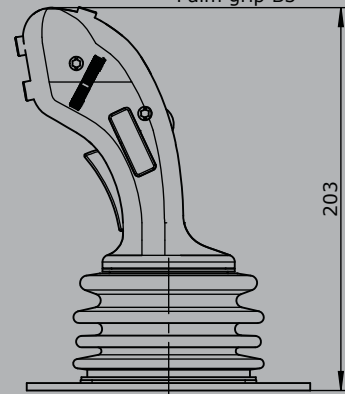
T = Dead man's button
H = Signal button
M = Latch for mechanical zero interlock



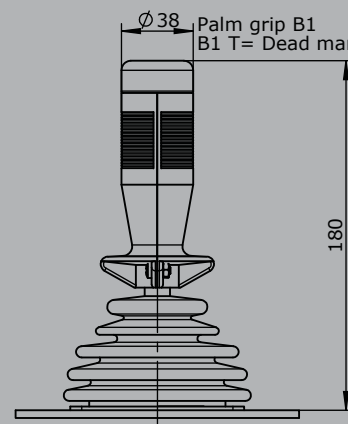
Knob solid
D = Push button



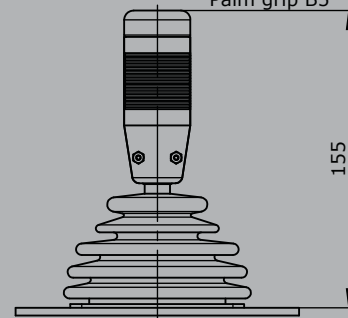
Palm grip B3



Ø 38 Palm grip B1
B1 T = Dead man's button



Palm grip B5



| Type | No. of contacts | Dim. A | Dim. B |
|------|-----------------|--------|--------|
| 01 | 2 | 119 | 82 |
| 02 | 4 | 131 | 94 |
| 03 | 6 | 144 | 107 |
| 04 | 8 | 156 | 119 |
| 05 | 10 | 169 | 132 |
| 06 | 12 | 181 | 144 |