

Multi-axis controller V23



The multi-axis controller V23 is a robust switching device for remote control applications. The multi-axis controller is resistant to oil, maritime conditions e.g. offshore / vessels, UV radiation typically from the sun.

Technical data

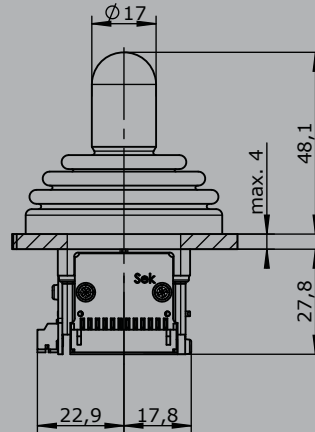
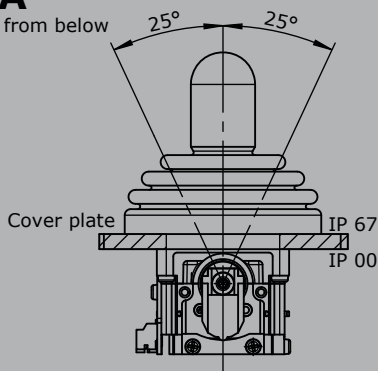
Mechanical life V23	3 million operating cycles
Operation temperature	-40°C to +60°C
Degree of protection	IP67 front



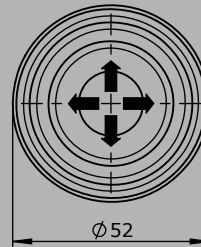
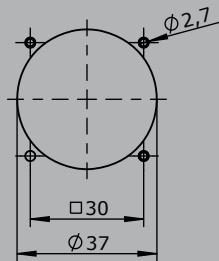
	V23A	- P	- C80	+ C80	- X
Basic unit					
V23.1A	1-axis with spring return, installation from below				
V23A	2-axis with spring return, installation from below				
V23.1B	1-axis with spring return, installation from top				
V23B	2-axis with spring return, installation from top				
Gate					
P	Cross gate				
P X	Special gate				
Axis 1: direction 1-2					
C80	Mechanical encoder				
	MEC 3-1				
	EA/26-10				
	I max. 1mA				
	Potentiometer resistance				
	2x5kOhm				
	Contact arrangement				
	Arrangement MS24				
	with 12-pol. JST-connector				
Axis 2: direction 3-4 (not applied for V23.1)					
<i>See description axis 1!</i>					
Special model					
X	Special / customer specified				
Attachments					
Mating connector JST 12-polig (included in delivery!)	5300000263				
Mating connector JST 12-pole with single wire 500mm long	5300000264				

V23A

Installed from below

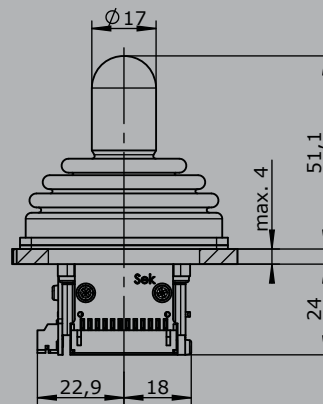
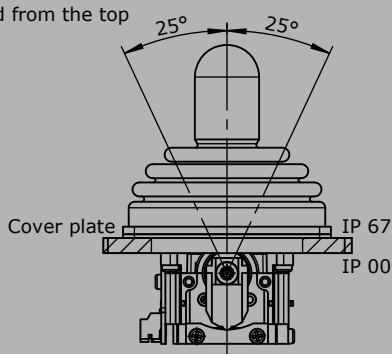


Hole pattern
(installed from below)



V23B

Installed from the top



Hole pattern
(installed from the top)

