

Multi-axis controller V21



The multi-axis controller V21 is a robust hallsensor switching device for electro-hydraulic applications.
The V21 is especially suitable for installation in our ball handles.
The multi-axis controller is resistant to oil, maritime conditions e.g. offshore / vessels, UV radiation typically from the sun.

Technical data

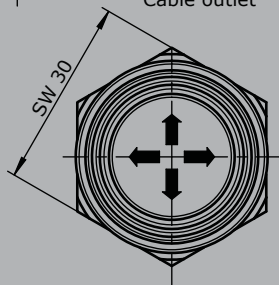
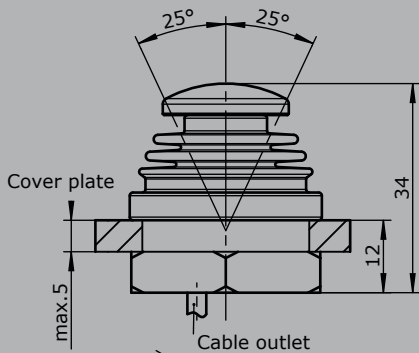
Mechanical life	5 million operating cycles
Operating force	1,6 to 3,5N
Supply voltage	5V DC stabilized
Operation temperature	-40°C to +60°C
Degree of protection	IP67



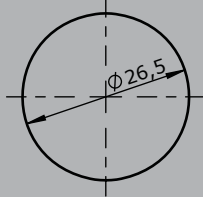
		V21	P	Example	- 1	- E1032	- X
Basic unit							
V21.1	1-axis, installation from top with fixing nut						
V21	2-axis, installation from top with fixing nut						
V21.1A	1-axis, with flange, installation from below						
V21A	2-axis, with flange, installation from below						
V21.1B	1-axis, with flange, installation from top						
V21B	2-axis, with flange, installation from top						
V21.1H13	1-axis with additional rotating axis, installation from below						
V21H13	2-axis with additional rotating axis, installation from below						
Gate							
P	Cross gate						
P X	Special gate						
Knob							
	Standard						
1	KBAD 980						
2	KBAD 1658						
3	KBAD 1690						
Interface							
Voltage output							
0,5...2,5...4,5V redundant at Ub=5V							
	1 axis			E103	1		
	2 axis				2		
	3 axis				3		
	Characteristic:						
	Inverse dual				1		
	Dual				2		
Special model							
X	Special / customer specified						

1

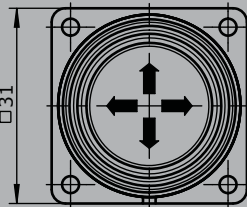
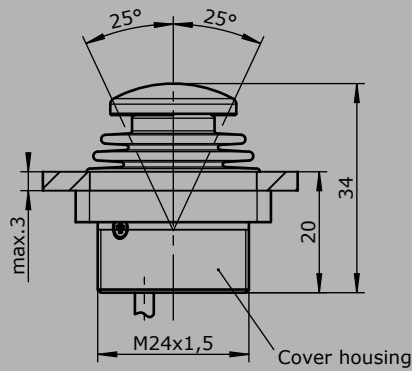
Standard
installed from the top



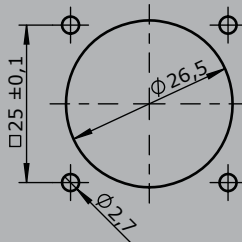
Hole pattern



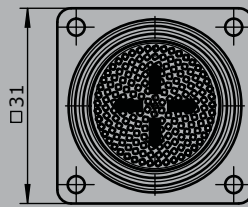
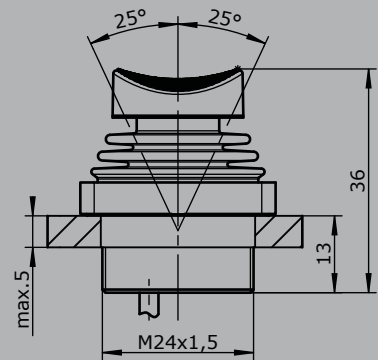
Version A with flange
installed from below



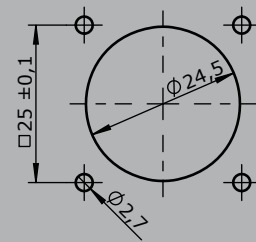
Hole pattern



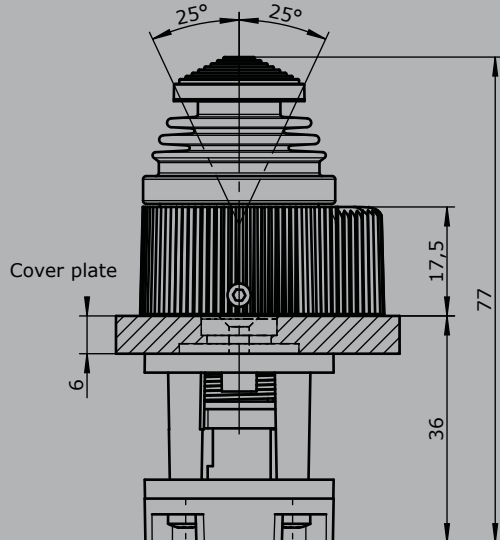
Version B with flange
installed from the top
with actuator KBAD 980



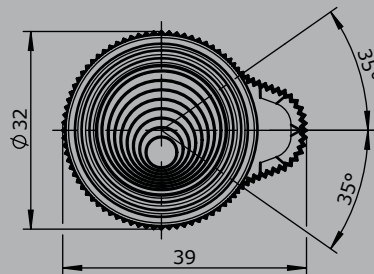
Hole pattern



Version
with actuator KBAD 1690



View from the top



Hole pattern

