

Portable control unit TS 2



The portable control unit TS 2 is used for controlling and monitoring the necessary equipment.
The chest panel and straps enable the operator to carry it without becoming tired.
An adjustable carrying strap can also be fitted for use without the chest plate.

Surface treatment:
Priming and structure-finishing paint
Standard colour RAL 7032 pebble-grey



Technical data:

Operation temperature	-40°C to +60°C
Degree of protection	IP65

		<i>Example</i>							
		TS 2	- SB 1	- RH 1	- K 4	- HS 1	/ V...	/ KLS	/ X
Basic unit									
TS 2	With chest plate, straps								
TS 21	With straps								
TS 22	With bracket and straps								
Attachment									
SB 1	Legs for control unit alu-tube 2 pieces								
SB 2	Legs for control unit stainless steel-tube V2 A 2 pieces								
RH 1	Reeling hooks for control unit stainless steel V2 A								
K 1	Cable entry M32 cable 11-21mm								
K 2	Cable entry M40 cable 19-28mm								
K 3	Cable entry 180° swiveling M32 cable 11-21mm								
K 4	Cable entry 180° swiveling M40 cable 19-28mm								
HS 1	Plug in socket 16-pole male insert					HAN 16E without wiring			
HB 1	Connector 16-pole female insert					HAN 16E without wiring			
HS 2	Plug in socket 24-pole female insert					HAN 24E without wiring			
HB 2	Connector 24-pole female insert					HAN 24E without wiring			
HS 3	Plug in socket 32-pole male insert					HAN 32E without wiring			
HB 3	Connector 32-pole female insert					HAN 32E without wiring			
<i>Indicating labels not engraved for multi-axis-/ single-axis controller</i>									
<i>Indicating labels engraved for multi-axis-/ single-axis controller</i>									
Mounting for equipment boxes									
V	Multi-axis controller (see page 1)								
S	Single-axis controller (see page 86)								
N	Control-switch (see page 124)								
...	More command and indicating devices (see page 188)								

TS 2 - SB 1 - RH 1 - K 4 - HS 1 / V... / KLS / X

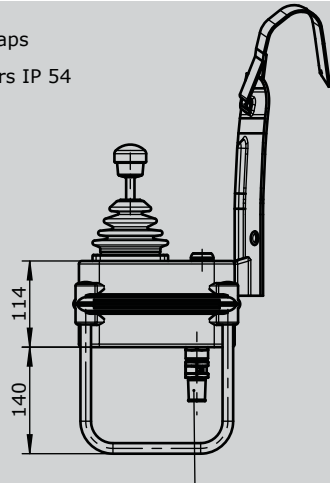
Cable and wiring

Cable Oelflex	18x1mm	13,4mm Ø	-5°C to +80°C	each meter
Cable Oelflex	25x1mm	15,4mm Ø	-5°C to +80°C	each meter
Cable Oelflex	34x1mm	18,6mm Ø	-5°C to +80°C	each meter
Cable Neonflex	18x1mm	19,2mm Ø	-30°C to +80°C	each meter
Cable Neonflex	24x1mm	22,1mm Ø	-30°C to +80°C	each meter
Cable Neonflex	38x1mm	26,1mm Ø	-30°C to +80°C	each meter
KLS	Wired on connector / plug in socket per core			
KLK	Wiring for cable per core			

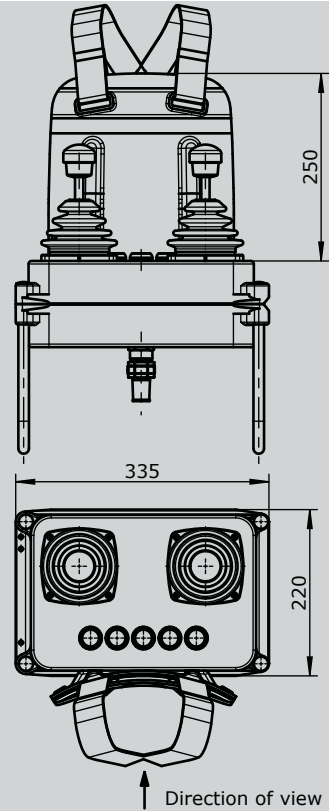
Special model

X	Special / customer specified
X1	Housing antistatic design < 10 ⁹ Ohm/cm
X2	Finishing color yellow RAL 1021

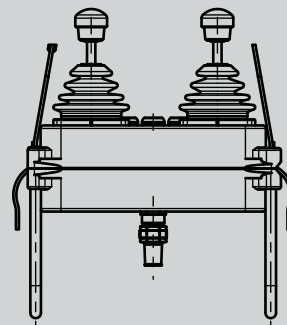
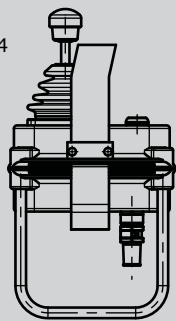
With chest plate and straps
Protection IP 65
with multi-axis controllers IP 54



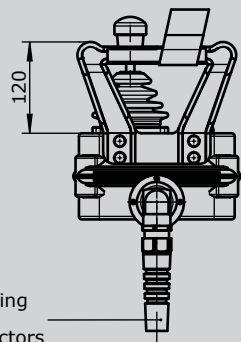
Cable entry
with anti-kink protection
and stain relief or connectors



With adjustable carrying strap
Protection IP 65
with multi-axis controllers IP 54



With bracket and cable entry swivelling
Protection IP 65
with multi-axis controllers IP 54



Cable entry 180° swivelling
with anti-kink protection
and stain relief or connectors

