

# Single-axis controller S9



The single-axis controller S9 is a hallsensor switching device designed for electro-hydraulic applications. Due to its small size, the S9 is particularly suitable for installation in our ball handles. The single-axis controller is resistant to oil, maritime conditions e.g. offshore /vessels, UV radiation typically from the sun.



1

## Technical data

Mechanical life S9	5 million operating cycles
Operating force	1,6 to 3,5N
Supply voltage	5V DC stabilized
Operating temperature	-40°C to +60°C
Degree of protection	IP67

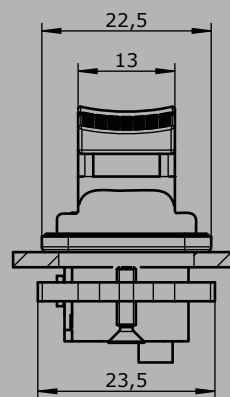
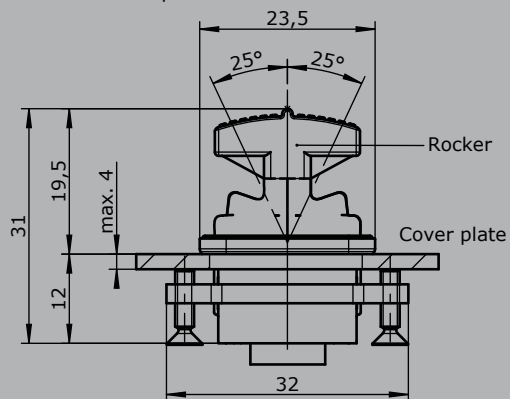
Example  
S9

- E10311

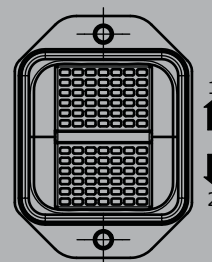
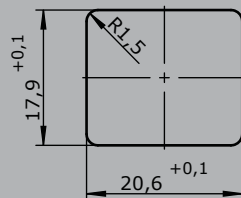
- X

Basic unit		Example	
S9		S9	
Interface		Example	
Voltage output		1 axis	
E 1031	<input type="checkbox"/> 0,5...2,5...4,5V redundant at Ub=5V characteristic: <input type="checkbox"/> = Inverse dual, <input checked="" type="checkbox"/> = Dual		
Special model		Example	
X	Special / customer specified		

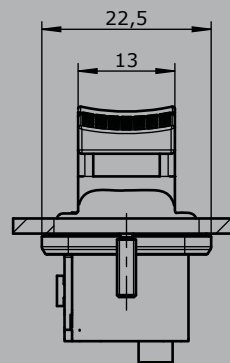
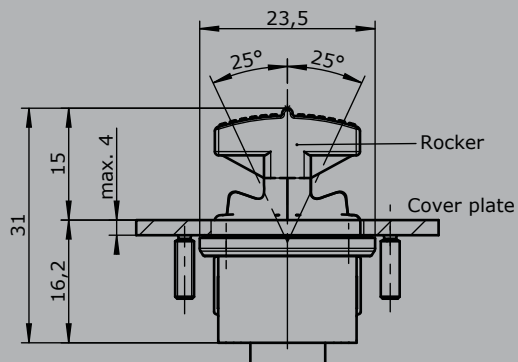
Installed from the top



Hole pattern  
(installed from the top)



Installed from below



Hole pattern  
(installed from below)

