

Single-axis controller

S2 / SS2 / S21



The single-axis controller S2/SS2 is a robust switching device for remote controlled and electrohydraulic applications. The modular design of the switching device is universally applicable. The single-axis controller is resistant to oil, maritime conditions e.g. offshore /vessels, UV radiation typically from the sun.

Technical data

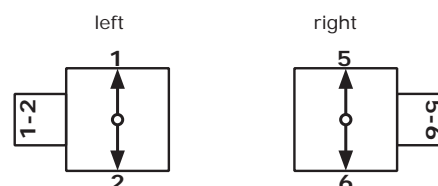
Mechanical life S2 / S21	6 million operating cycles
Mechanical life SS2	10 million operating cycles
Operating temperature	-40°C to +60°C
Degree of protection	IP54



	S2L	S5	T	- 02 Z P	- A050 P134	- X
Basic unit						
S2L left						
Control-handle extended						
S5 -20mm						
Grip / palm grip						
T Dead man						
Axis 1 (direction 1-2)						
02 3 contacts (2A 250V AC15)						
Z Spring return						
P Potentiometer						
Description axis 1 (direction 1-2)						
A050 Arrangement MSP21						
P134 Potentiometer T396 2x5kOhm						
Special model						
X Special / customer specified						

	S2L	S5	T	- 02 Z P	- A050 P134	- X
Basic unit						
S2L Single-axis controller left						
S2R Single-axis controller right						
S21L Single-axis controller left with flange 96x96mm						
S21R Single-axis controller right with flange 96x96mm						
Reinforced version						
SS2L Single-axis controller left						
SS2R Single-axis controller right						
SS21L Single-axis controller left with flange 96x96mm						
SS21R Single-axis controller right with flange 96x96mm						

Identification of the installation variants with switching directions:



Technical details may vary based on configuration or application! Technical data subject to change without notice!

Single-axis controller

S2 / SS2 / S21

Combination possibilities with our handles



S2L S5 T - 02 Z P - A050 P134 - X

Control-handle extended

- Standard
 - S5 -20mm
 - S8 +20mm
- *Only possible in combination with handle!*

Grip / palm grip

- Knob (standard)
- M Mechanical zero interlock
- MN Mechanical zero interlock (push down)
- T Dead man
- MT Mechanical zero interlock + dead man
- H Signal button
- MH Mechanical zero interlock + signal button
- D Push button
- MD Mechanical zero interlock + push button
- DV Flush push button
- MDV Mechanical zero interlock + flush push button
- B... Palm grip B... (see page palm grip 147)

S2L S5 T - 02 Z P - A050 P134 - X

Axis 1: direction 1-2 left / direction 5-6 right

02	3 contacts	Standard contact - arrangement see page 131		
03	5 contacts	z.B.		
04	7 contacts	A98	MS0	
05	9 contacts	A05	MS21	
		A0500	MS21-00	
		A110	MS24-0	
		<i>A99 contact - arrangement according customer request</i>		
Z	Spring return			
R	Friction brake			
(P)	Possibility of mounting potentiometer and encoder (Gessmann-types)			
P	Potentiometer	P131	T396 2x0,5kOhm	I max. 1mA
		P132	T396 2x1kOhm	I max. 1mA
		P133	T396 2x2kOhm	I max. 1mA
		P134	T396 2x5kOhm	I max. 1mA
		P135	T396 2x10kOhm	I max. 1mA
		<i>More potentiometers on request!</i>		
C	Encoder	C... Encoder see page 137		

S2L

S5

T

- 02 Z P

- A050 P134

- X

Special model

- X Special / customer specified
- X1 Microswitch (MZT 1) positively driven NC contact

Attachments

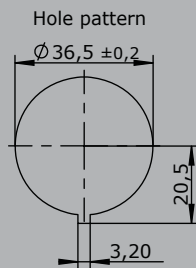
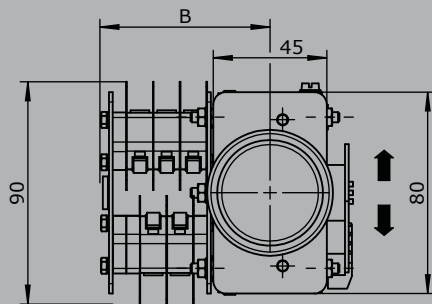
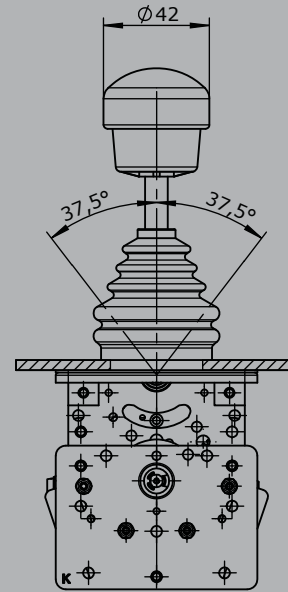
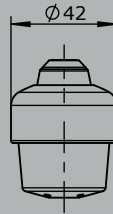
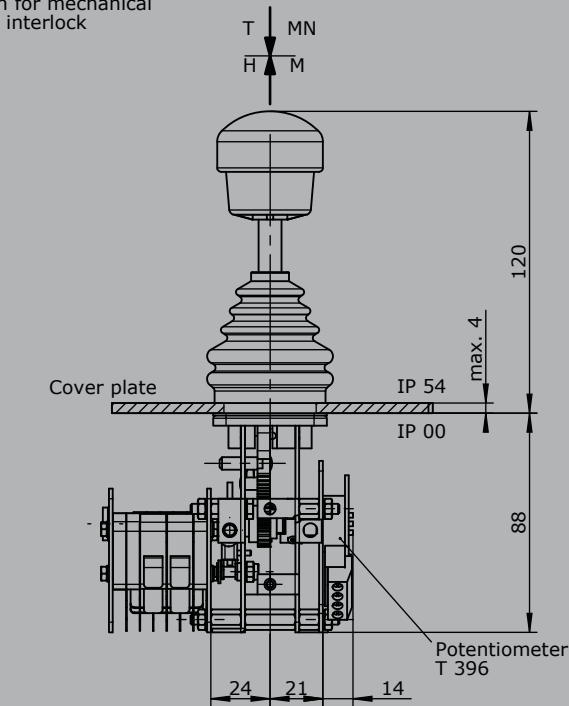
- Indicating labels
- Indicating labels with engraving

1

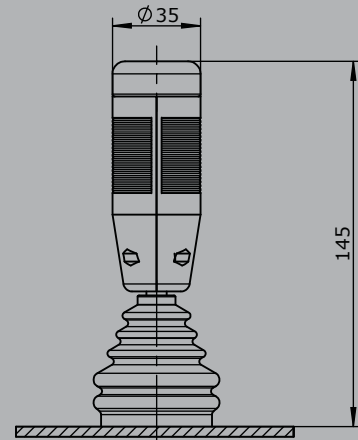
Single-axis controller S2 / SS2

T = Dead man's button
H = Signal button
M = Latch for mechanical zero interlock

Knob solid
D = Push button



Palm grip B5
B5 T = Dead man's button



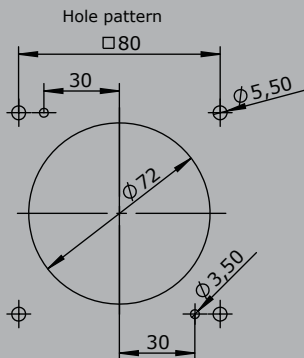
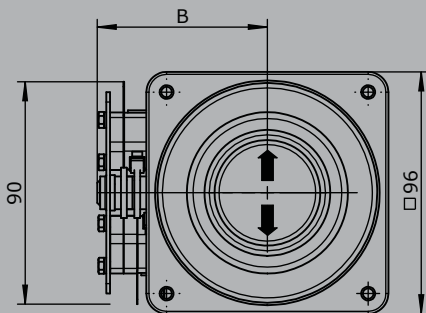
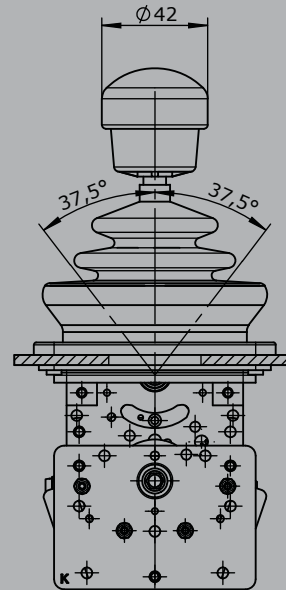
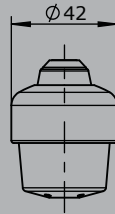
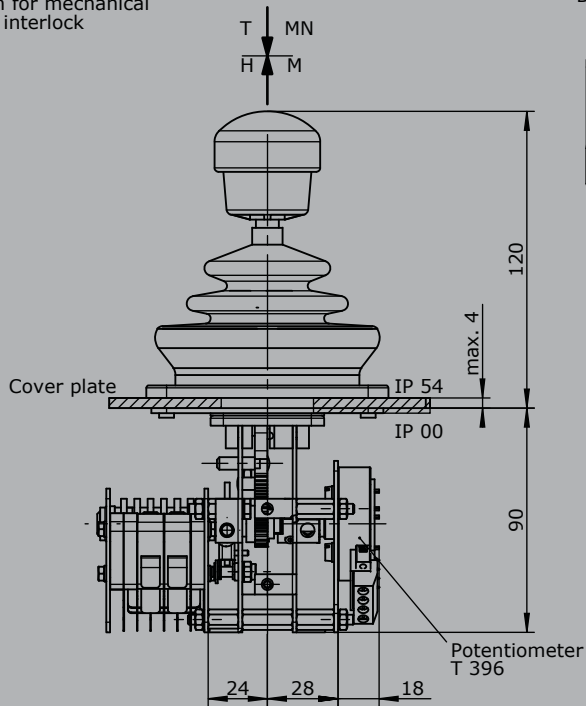
Type	No. of contacts	Maß B
02	3	62
03	5	72
04	7	83
05	9	93



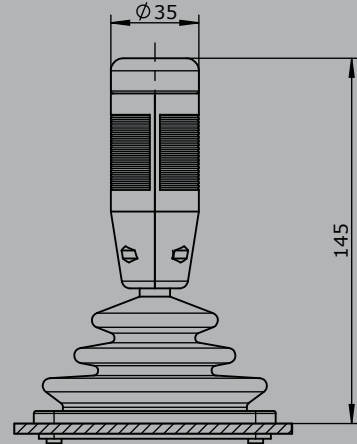
Single-axis controller S21

T = Dead man's button
H = Signal button
M = Latch for mechanical zero interlock

Knob solid
D = Push button



Palm grip B5
B5 T = Dead man's button



Type	No. of contacts	Maß B
02	3	62
03	5	72
04	7	83
05	9	93