

Single-axis controller S14



The single-axis controller S14 is a designed hall sensor switching device for electro-hydraulic and remote controlled hydraulic. The modular design of the switching device is universally applicable. The single-axis controller is resistant to oil, maritime conditions e.g. offshore /vessels, UV radiation typically from the sun.



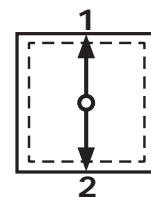
Technical data

Mechanical life S14	6 million operating cycles
Operating temperature	-40°C to +60°C
Degree of protection	IP65

	S14L	S8	Example T	- 01ZC	- A05 C61	- X
Basic unit						
S14L						
Control-handle extended						
S8 +20mm						
Grip / palm grip						
T Dead man						
Axis 1 (direction 1-2)						
O1 2 contacts (2A 250V AC15)						
Z Spring return						
C Mechanical encoder						
Description axis 1 (direction 1-2)						
A05 Arrangement MSP21						
C61 Mechanical encoder MEC 1-2						
Special model						
X Special / customer specified						

	S14L	S8	T	- 01ZC	- A05 C61	- X
Basic unit						
S14L 1-axis left						
S14R 1-axis right						
Control-handle extended						
Standard						
S8 +20mm						
Grip / palm grip						
Knob (standard)						
M Mechanical zero interlock						
MH Mechanical zero interlock + signal contact						
T Dead man						
H Signal button						
GK1 Knob 42mm						
GK1M Mechanical zero interlock						
GK1MN Mechanical zero interlock (push down)						
GK1T Dead man						
GK1H Signal button						

Identification of the installation variants with switching directions:



S14

Technical details may vary based on configuration or application! Technical data subject to change without notice!

Single-axis controller S14

1

	S14L	S8	T	- 01ZC	- A05	C61	- X
GK1MH	Mechanical zero interlock + signal contact						
GK1D	Push button						
GK1DV	Flush push button						
GS9	Hall-twist grip with spring return						
GS9-D	Hall-twist grip with spring return and push button on top						
B ...	Palm grip B... (see page palm grip 147)						

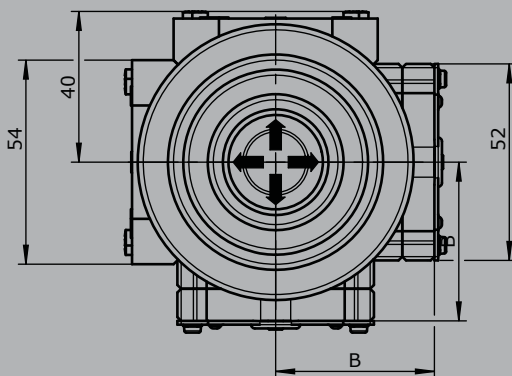
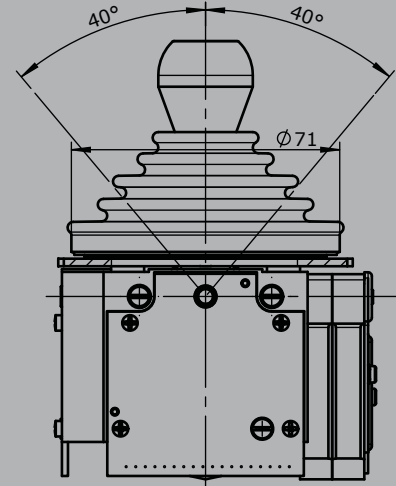
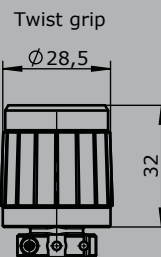
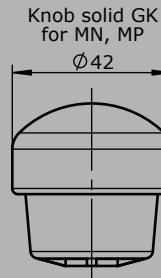
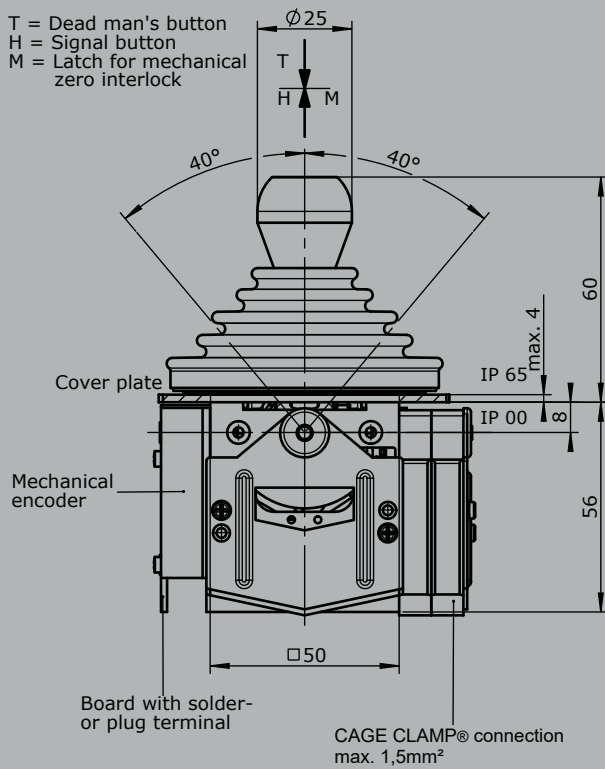
Attention! The single-axis controller S14 is not suited for big palm grip (B3, B7/B8, B9...)!

	S14L	S8	T	- 01ZC	- A05	C61	- X	
Axis 1: direction 1-2 left / direction 5-6 right								
	(Standard contacts gold-plated 2A 250V AC15)							
01	2 contacts		Standard contact - arrangement see page 131					
02	4 contacts		z. B.					
03	6 contacts		A05 MS21					
			A0500 MS21-00					
			A110 MS24-0					
	<i>A99 contact - arrangement according customer request</i>							
Z	Spring return (included in basic unit!)							
R	Friction brake							
C	Mechanical encoder		C61	MEC 1-2				
				EA/02-10	I max. 1mA			
				Potentiometer track	2x10kOhm			
				Direction track	Arrangement MS26-0			
			C62	MEC 1-7				
				EA/10-10	I max. 1mA			
				Potentiometer track	2x5kOhm			
				Direction track	Arrangement MS26-0-1			
			C66	MEC 1-10				
				EA/17-10	I max. 1mA			
				Potentiometer track	2x1,5kOhm			
				Direction track	Arrangement MS21-0+MS21			
			C63	MEC 1-6				
				EA/09-10				
				6 Bit Gray Code				
			C64	MEC 1-6-5				
				ER/36-10	Us= 18-30V			
				Current output 20...4...20mA				
			C65	MEC 1-6-8				
				ER/ 36-10	Us= 18-30V			
				Current output 20...0...20mA				
			C67	MEC 1-6-9				
				ER/36-11	Us= 18-30V			
				Voltage output 10...0...10V				
	<i>More potentiometers on request!</i>							
H	Hall-Potentiometer		E10311	0,5...2,5...5,4V / 4,5...2,5...0,5V				

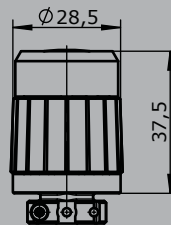
	S14L	S8	T	- 01ZC	- A05	C61	- X
Special model							
X	Special / customer specified						

Single-axis controller S14

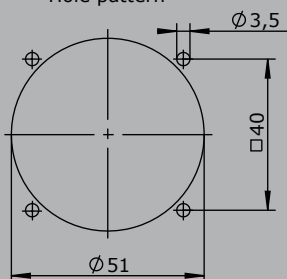
T = Dead man's button
H = Signal button
M = Latch for mechanical zero interlock



Twist grip with Push button



Hole pattern



Type	No. of contacts	Dim. B
01	2	36
02	4	45
03	6	54