

Single-axis controller S11



The single-axis controller S11 is a hall sensor switching device designed for electro-hydraulic and remote controlled hydraulic. The modular design of the switching device is universally applicable. The single-axis controller is resistant to oil, maritime conditions e.g. offshore /vessels, UV radiation typically from the sun.

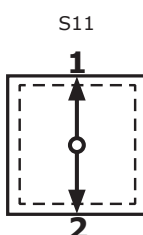
Technical data

Mechanical life S11	6 million operating cycles
Operating temperature	-40°C to +60°C
Storage temperature	-50°C to +80°C
Degree of protection	IP65, electronic assembly IP67



	S11	T	- Z	- E...	- S...	- X
Basic unit						
S11 1-axis						
Grip / palm grip						
Knob (standard)						
M Mechanical zero interlock						
T Dead man						
D Push button						
GS8 Knob GS8						
Z Spring return <i>(included in basic unit!)</i>						
R Friction brake						
Interface <i>(description on the following page)</i>						
E0xx Digital output						
E1xx Voltage output						
E2xx Current output						
Plug connectors						
S.. Standard plug connectors <i>(see page 129)</i>						
Special model						
X Special / customer specified						

Identification of the installation variants with switching directions:



1

Digital Output	
Supply voltage	9-32V DC
Current carrying capacity	Direction signal 150mA Zero position signal 500mA
Wiring	Cable 500mm long without plug connector Optional with plug connector (<i>standard plug connectors see page 129</i>)
Cable 500mm long with plug (male)	1 axis
	E001 1

Voltage output (not stabilized)	
Supply voltage	4,75-5,25V DC
Current carrying capacity	Direction signal 8mA
Wiring	Cable 500mm long without plug connector Optional with plug connector (<i>standard plug connectors see page 129</i>)
0,5...2,5...4,5V redundant + 2 direction signals per axis	1 axis
	2 axis
	Output options
	Characteristic:
	Inverse dual
	Dual
	Inverse dual with dead zone +/- 3°
	Dual with dead zone +/- 3°
	E104 1
	2
	1
	2
	3
	4

Voltage output	
Supply voltage	9-32V DC (*11,5-32V)
Current carrying capacity	Direction signal 150mA Zero position signal 500mA
Wiring	Cable 500mm long without plug connector Optional with plug connector (<i>standard plug connectors see page 129</i>)
0,5...2,5...4,5V redundant + 2 direction signals + 1 zero position signal (galvanically isolated) per axis	1 axis
	E112 1
0...5...10V redundant + 2 direction signals + 1 zero position signal (galvanically isolated) per axis, supply voltage 11,5 - 32V DC	1 axis
	E132 1
10...0...10V + 2 direction signals + 1 zero position signal (galvanically isolated) per axis, supply voltage 11,5 - 32V DC, sensor redundant with error monitoring and error signal	1 axis
	E136 1
	Output options
	Characteristic:
	Inverse dual *1
	Dual *1
	Inverse dual with dead zone +/- 3° *1
	Dual with dead zone +/- 3° *1
	*1 not combinable with output E136X
	Single *2
	Single with dead zone *2
	*2 not combinable with output E112X and E132X
	1
	2
	3
	4
	5
	6

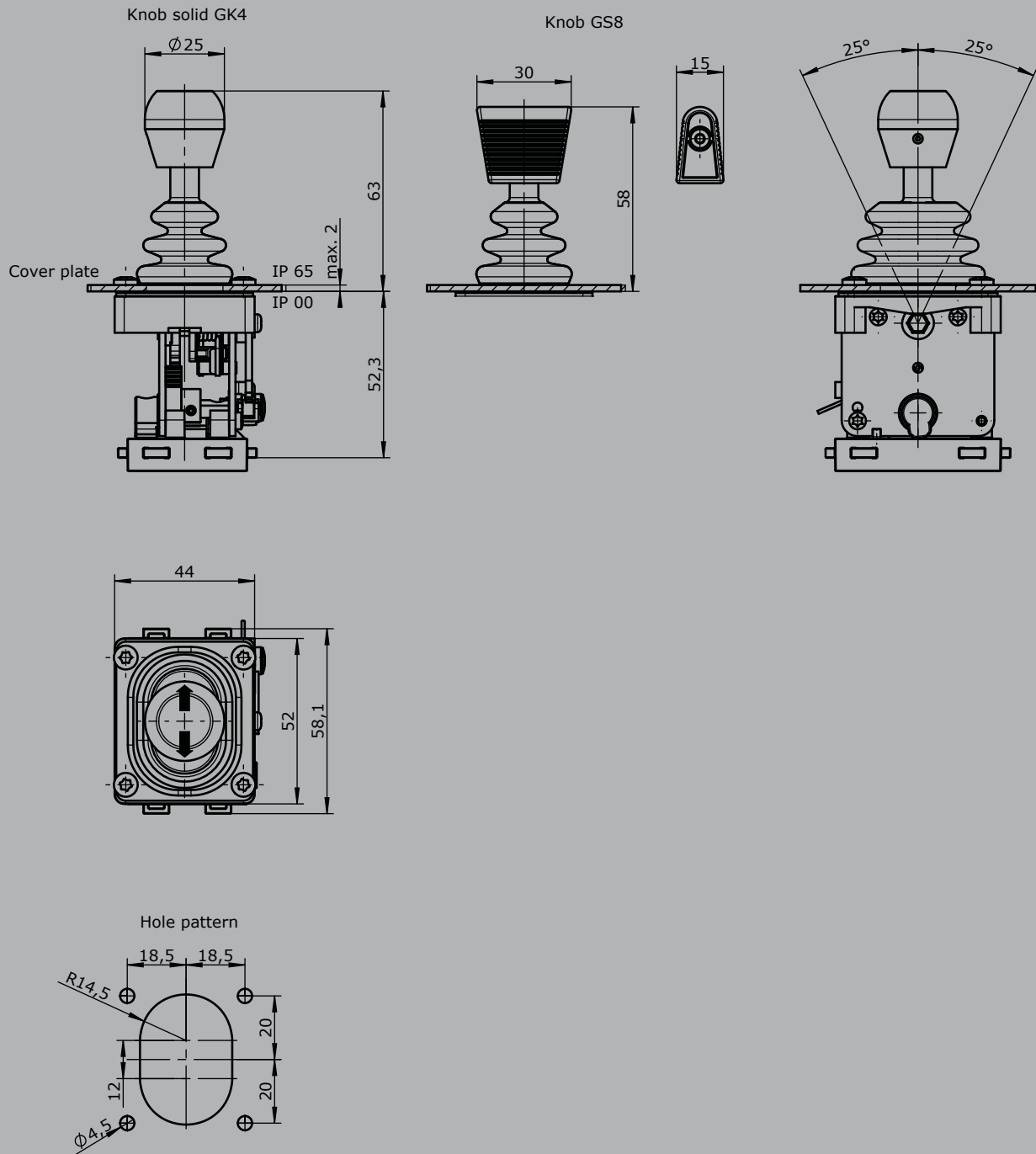
Voltage output with other value on request!

Single-axis controller S11

Current output		
Supply voltage	9-32V DC	
Current carrying capacity	Direction signal 150mA	
	Zero position signal 500mA	
Wiring	Cable 500mm long without plug connector	
	Optional with plug connector (<i>standard plug connectors see page 129</i>)	S
0...10...20mA + 2 direction signals + 1 zero position signal (galvanically isolated) per axis, sensor redundant with error monitoring and error signal		
	1 axis	E206 1
20...0...20mA + 2 direction signals + 1 zero position signal (galvanically isolated) per axis, sensor redundant with error monitoring and error signal		
	1 axis	E208 1
4...12...20mA + 2 direction signals + 1 zero position signal (galvanically isolated) per axis, sensor redundant with error monitoring and error signal		
	1 axis	E214 1
20...4...20mA + 2 direction signals + 1 zero position signal (galvanically isolated) per axis, sensor redundant with error monitoring and error signal		
	1 axis	E216 1
Output options		
	Single	5
	Single with dead zone +/-3°	6
<i>Voltage output with other value on request!</i>		



T = Dead man's button



Technical details may vary based on configuration or application! Technical data subject to change without notice!