

# Crane control unit

## KST 4 swiveling



The KST 4 is an ergonomically designed swiveling crane control chair which provides a high degree of comfort.

### Equipment boxes:

The sheet steel equipment boxes are vertically and horizontally adjustable. The arrangement of the joysticks, indicators and control devices is customised according to customer specifications. Cabling is carried out through a cross-member in the traverse. (Terminal block)

Special boxes available upon request.

### Driver seat:

As standard the KST 4 is fitted with a KFS 11 seat. The seat itself is fitted with a hydraulic vibration absorption system complete with weight adjustment to ensure that the comfort level is fitted with armrests and a headrest. There is the option to have the seat covered with air-permeable artificial leather.

### Cross-member with swivel base:

The cover of the sheet steel cross-member including the driver's seat is forward foldable.

Thereby all wirings, terminals and bushings are easily accessible during commissioning and maintenance.

Swivel base has zero-clearance bearing and can be locked by a friction brake.

### Surface treatment:

Base coat and textured varnish  
Standard colour RAL 9011 black



Example

KST 41 - 3 - M1 - F1 - LK / KFS 11 / V64 / V64.1 / KL / X

### Basic unit

- KST 41 With equipment boxes 160x420mm
- KST 42 With equipment boxes 200x420mm

### Base unit

- 1 Swiveling 180° left, 90° right with friction brake
- 2 Electric swiveling 180° left, 90° right
- 3 Non swiveling
- 4 Without base frame

### Attachments

- M1 Monitor mounting with monitor housing
- M2 Monitor mounting with monitor mounting bracket
- M3 Monitor mounting without monitor housing/-mounting bracket
- F1 Footrest mounted dispatch 1 KBF/433
- H Heater 2x2kW with ventilator
- LK Plate for horizontal manual adjustment of crane control units +/- 250mm

### Driver seat

- KFS 11\* (Included in the delivery!)
- KFS 9\*
- KFS 10\*
- KFS 12\*

\*Description see driver seat page 221

# Crane control unit

## KST 4 swiveling

KST 41 - 3 - M1 - F1 - LK / KFS 11 / V64 / V64.1 / KL / X

### Mounting for equipment boxes

- V... Multi-axis controller (see page 1)
- S... Single-axis controller (see page 86)
- D... Double-handle controller (see page 63)
- N... Control-switch (see page 124)
- ... More command and indicating devices (see page 188)

### Wiring

- KL Without wiring, each terminal block built in each terminal
- KLV On terminal block 4mm<sup>2</sup> with single wire 1mm<sup>2</sup> each terminal
- KLV On SPS (SPS provision) with single wire 1mm<sup>2</sup> each terminal
- KLVA External wiring single wire highly flexible 1,5mm<sup>2</sup> 5m long, each terminal

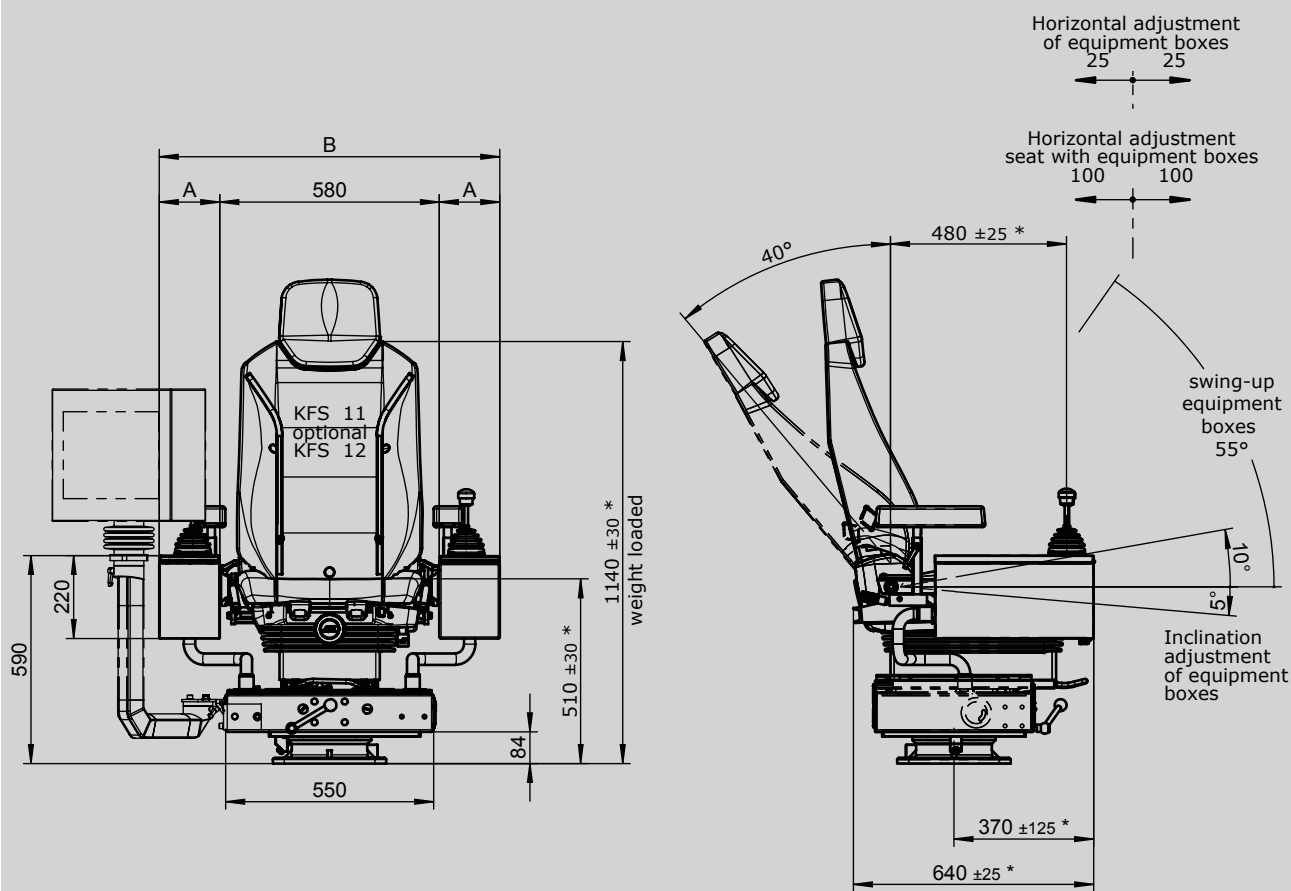
### Special model

- X Special / customer specified
- X<sup>1</sup> Special painted

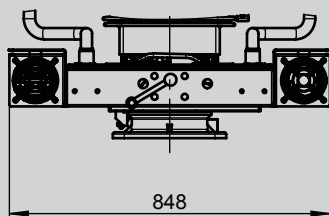
### Option

- Radio remote control system

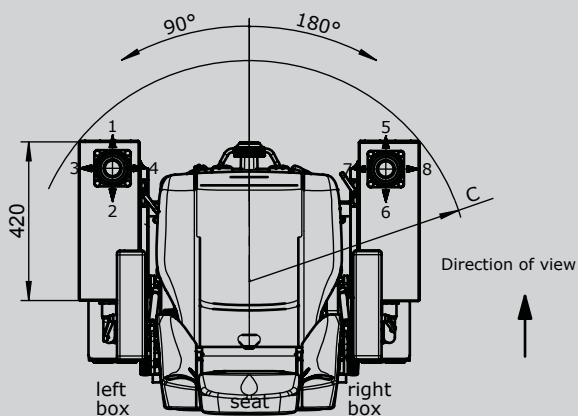
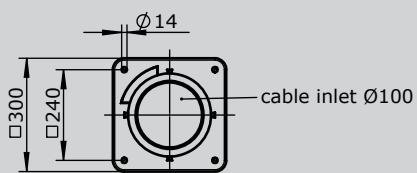
# Crane control unit KST 4 swiveling



with heating



Floor mounting



\* adjustable

Type	Dim. A	Dim. B	Dim. C
KST 41	160	900	max. 670 min. 570
KST 42	200	980	max. 700 min. 600