

# Double-handle controller D8



The double-handle controller D8 is a robust switching device for the hoisting applications. The modular design enables the switching device to be used universally. The double-handle controller is resistant to oil, maritime conditions e.g. offshore /vessels, UV radiation typically from the sun.



## Technical data

Mechanical life D8	8 million operating cycles
Operation temperature	-40°C to +60°C
Degree of protection	IP54 front

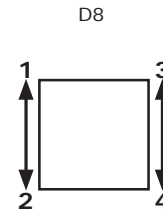
	D8	S5	Q / Q	- 2ZP	+ 3 RP	- B	- A05 P184	+ A050 P184	- E9012	- S...	- X
<b>Basic unit</b>	D8										
<b>Control-handle extended</b>	S5	-20mm									
<b>Grip- control-handle left</b>	Q	T-grip									
<b>Grip- control-handle right</b>	Q	T-grip									
<b>Axis 1 (direction 1-2)</b>	2	2 contacts (1,5A 24V DC13)									
Z		Spring return									
P		Potentiometer									
<b>Axis 2 (direction 3-4)</b>	3	3 contacts (1,5A 24V FC13)									
R		Friction brake									
P		Potentiometer									
<b>Cover housing</b>	B	Cover housing									
<b>Description axis 1 (direction 1-2)</b>	A05	Arrangement MSP21									
P184		Potentiometer T301 2x5kOhm									
<b>Description axis 2 (direction 3-4)</b>	A050	Arrangement MSP21-0									
P184		Potentiometer T301 2x5kOhm									
<b>Interface</b>	E9012	Potentiometer output for proportional valve PVG32									
<b>Plug connector</b>	S...	Standard plug connector (see page 129)									
<b>Special model</b>	X	Special / customer specified									

Technical details may vary based on configuration or application! Technical data subject to change without notice!

# Double-handle controller

## D8

	D8	S5	Q / Q	- 2 Z P	+ 3 R P	- B	- A05	P184	+ A050	P184	- E9012	- X
<b>Basic unit</b>	D8											
<b>Control-handle extended*</b>												
	Standard 160mm											
S5	-20mm											
S8	+20mm											
<i>*Only in combination with knob!</i>												
<b>Grip- control-handle left</b>												
	Knob											
M	Mechanical zero interlock											
T	Dead man											
H	Signal button											
D	Push button											
Q	T-grip											
QD	T-grip with push button side											
B10...	Palm grip B10... (see page 163)											
<b>Grip- control-handle right</b>												
	Knob											
M	Mechanical zero interlock											
T	Dead man											
H	Signal button											
D	Push button											
Q	T-grip											
QD	T-grip with push button side											
B10...	Ball handle B10... (see page 163)											



	D8	S5	Q / Q	- 2 Z P	+ 3 R P	- B	A05 P184	+ A050 P184	- E9012	- X
<b>Axis 1: direction 1-2 left</b>										
1	1 contact									
2	2 contacts									
3	3 contacts									
Z	Spring return									
R	Friction brake									
(P)	Mounting options for potentiometer and encoder (Gessmann-types)									
P	Potentiometer	P181	T301 2x0,5kOhm	I max. 1mA						
		P182	T301 2x1kOhm	I max. 1mA						
		P183	T301 2x2kOhm	I max. 1mA						
		P184	T301 2x5kOhm	I max. 1mA						
		P185	T301 2x10kOhm	I max. 1mA						
H	Hall-potentiometer	E10311		0,5...2,5...4,5V / 4,5...2,5...0,5V						

Technical details may vary based on configuration or application! Technical data subject to change without notice!

# Double-handle controller D8

## Combination possibilities with our handles



1

If both axis identical, it`s enough to describe one axis!

Example: ...A05P184 + A05P184 => A05P184

D8 S5 Q / Q - 2 Z P + 3 R P - B A05 P184 + A050 P184 - E9012 - X

Axis 2: direction 3-4			
1	1 contacts	Standard contact - arrangement see page 131	
2	2 contacts	e.g.	
3	3 contacts	A98	
		A05	
		A050	
		A99 contact - arrangement for customer request	
Z	Spring return		
R	Friction brake		
(P)	Mounting options for potentiometer and encoder (Gessmann-types)		
P	Potentiometer	P181 T301 2x0,5kOhm	I max. 1mA
		P182 T301 2x1kOhm	I max. 1mA
		P183 T301 2x2kOhm	I max. 1mA
		P184 T301 2x5kOhm	I max. 1mA
		P185 T301 2x10kOhm	I max. 1mA
		<i>More potentiometers on request!</i>	
H	Hall-Potentiometer	E10311	0,5...2,5...4,5V / 4,5...2,5...0,5V

D8 S5 Q / Q - 2 Z P + 3 R P - B A05 P184 + A050 P184 - E9012 - X

Cover housing			
B	Cover housing		
Interface			
E901	1	Potentiometer output for proportional valve PVG32 0,25...0,5...0,75Us	1 axis
	2		2 axis
Special model			
X	Special / customer specified		

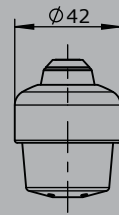
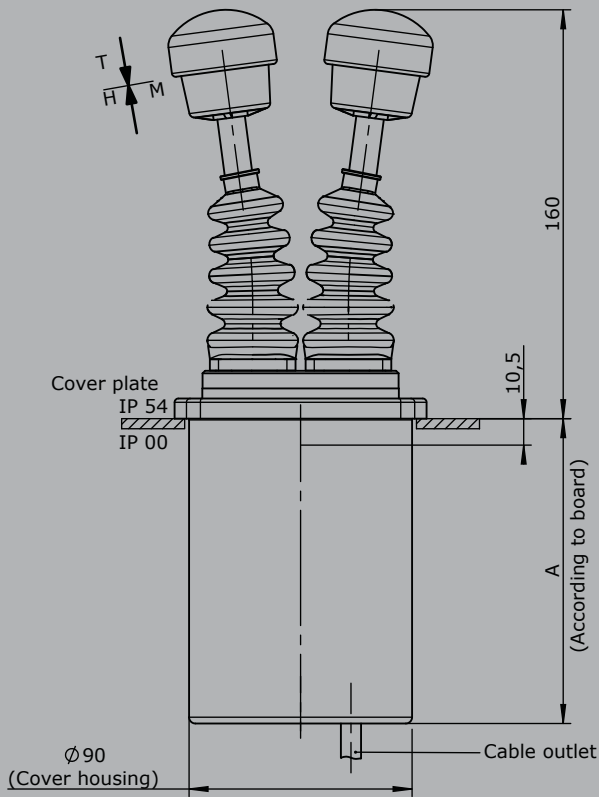
# Double-handle controller

## D8

T = Dead man's button  
H = Signal button  
M = Latch for mechanical zero interlock

Knob solid  
D = Push button

T - grip  
D = Push button



To build in:  
Direction 1-2  
Direction 3-4

