

# Double-handle controller D64 / DD64



The double-handle controller D64/DD64 is available in either single-axis or multi-axis options and is a robust controller used commonly in electro-hydraulic applications. The modular design enables the switching device to be used universally. The double-handle controller is resistant to oil, maritime conditions e.g. offshore / vessels, UV radiation typically from the sun.

## Technical data

Mechanical life D64	10 million operating cycles
Mechanical life DD64	20 million operating cycles
Operation temperature	-40°C to +60°C
Degree of protection	IP54 front



1

	D64	S5	Q	/	Q	- 01 Z P	+ 03A R C	- A05 P134	+ A110 C01	- X
<b>Basic unit</b>	D64									
<b>Control-handle extended</b>	S5 -20mm									
<b>Grip- control handle left</b>	Q T-grip									
<b>Grip- control handle right</b>	Q T-grip									
<b>Axis 1 (direction 1-2)</b>	01 2 contacts (2A 250V AC15) Z Spring return P Potentiometer									
<b>Axis 2 (direction 3-4)</b>	03A 6 contacts (4A 250V AC15) R Friction brake C Opto-electronical encoder									
<b>Description axis 1 (direction 1-2)</b>	A05 Arrangement MSP21 P134 Potentiometer T396 2x5kOhm									
<b>Description axis 2 (direction 3-4)</b>	A110 Arrangement MSP 24-0 C01 OEC 2-1-1									
<b>Special model</b>	X Special / customer specified									

Technical details may vary based on configuration or application! Technical data subject to change without notice!

# Double-handle controller

## D64 / DD64

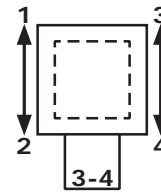
### Combination possibilities with our handles



1

	D64	S5	Q / Q	- 01 Z P	+ 03 A R C	- A05	P134	+ A110	C01	- X
<b>Basic unit</b>										
D64										
Reinforced version										
DD64										
<b>Control-handle long*</b>										
Standard 180mm										
S5 -20mm										
S8 +20mm										
<i>*Only in combination with knob!</i>										
<b>Grip- control handle left</b>										
Knob										
M Mechanical zero interlock										
T Dead man										
H Signal button										
D Push button										
DV Flush push button										
Q T-grip										
QM T-grip with mechanical zero interlock										
QMH T-grip with mechanical zero interlock + signal contact										
QH T-grip + signal button										
QD T-grip + push button side										
B10 Palm grip B10... (see page 163)										
<b>Grip- control handle right</b>										
Knob										
M Mechanical zero interlock										
T Dead man										
H Signal button										
D Push button										
DV Flush push button										
Q T-grip										
QM T-grip with mechanical zero interlock										
QMH T-grip with mechanical zero interlock + signal contact										
QH T-grip with signal button										
QD T-grip push button side										
B10... Palm grip B10... (see page 163)										

### Identification of the installation variants with switching directions:



D64 / DD64

D64 S5 Q / Q - 01 Z P + 03 A R C - A05 P134 + A110 C01 - X

### Axis 1: direction 1-2

(Standard contacts gold-plated 2A 250V AC15)

01	<input type="checkbox"/>	2 contacts	Standard contacts - see arrangement page 131	
02	<input type="checkbox"/>	4 contacts	e.g.	
03	<input type="checkbox"/>	6 contacts	A980	MS00
04	<input type="checkbox"/>	8 contacts	A05	MS21
05	<input type="checkbox"/>	10 contacts	A0500	MS21-00
06	<input type="checkbox"/>	12 contacts	A110	MS24-0
		<input checked="" type="checkbox"/> = Silver contact (4A 250V AC15)	A99 contact - arrangement according customer request	

Z Spring return

R Friction brake

(P) Mounting options for potentiometer and encoder (Gessmann-types)

P	Potentiometer	P131	T396 2x0,5kOhm	I max. 1mA
		P132	T396 2x1kOhm	I max. 1mA
		P133	T396 2x2kOhm	I max. 1mA
		P134	T396 2x5kOhm	I max. 1mA
		P135	T396 2x10kOhm	I max. 1mA
		<i>More potentiometers on request!</i>		

C Encoder C... Encoder see page 137

If both axis identical, it's enough to describe one axis!

Example: A05P134 + A05P134 => A05P134

D64 S5 Q / Q - 01 Z P + 03 A R C - A05 P134 + A110 C01 - X

### Axis 2: direction 3-4

(Standard contacts gold plated 2A 250V AC15)

01	<input type="checkbox"/>	2 contacts	Standard contact - see arrangement on page 131	
02	<input type="checkbox"/>	4 contacts	e.g.	
03	<input type="checkbox"/>	6 contacts	A980	MS00
04	<input type="checkbox"/>	8 contacts	A05	MS21
05	<input type="checkbox"/>	10 contacts	A0500	MS21-00
06	<input type="checkbox"/>	12 contacts	A110	MS24-0
		<input checked="" type="checkbox"/> = Silver contacts (4A 250V AC15)	A99 contact - arrangement according customer request	

Z Spring return

R Friction brake

(P) Mounting options for potentiometer and encoder (Gessmann-types)

P	Potentiometer	P131	T396 2x0,5kOhm	I max. 1mA
		P132	T396 2x1kOhm	I max. 1mA
		P133	T396 2x2kOhm	I max. 1mA
		P134	T396 2x5kOhm	I max. 1mA
		P135	T396 2x10kOhm	I max. 1mA
		<i>More potentiometers on request!</i>		

C Encoder C... Encoder see page 137

# Double-handle controller

## D64 / DD64



D64 S5 Q / Q - 01 Z P + 03 A R C - A05 P134 + A110 C01 - X

### Special model

X Special / customer specified

### Attachments

Indicating labels

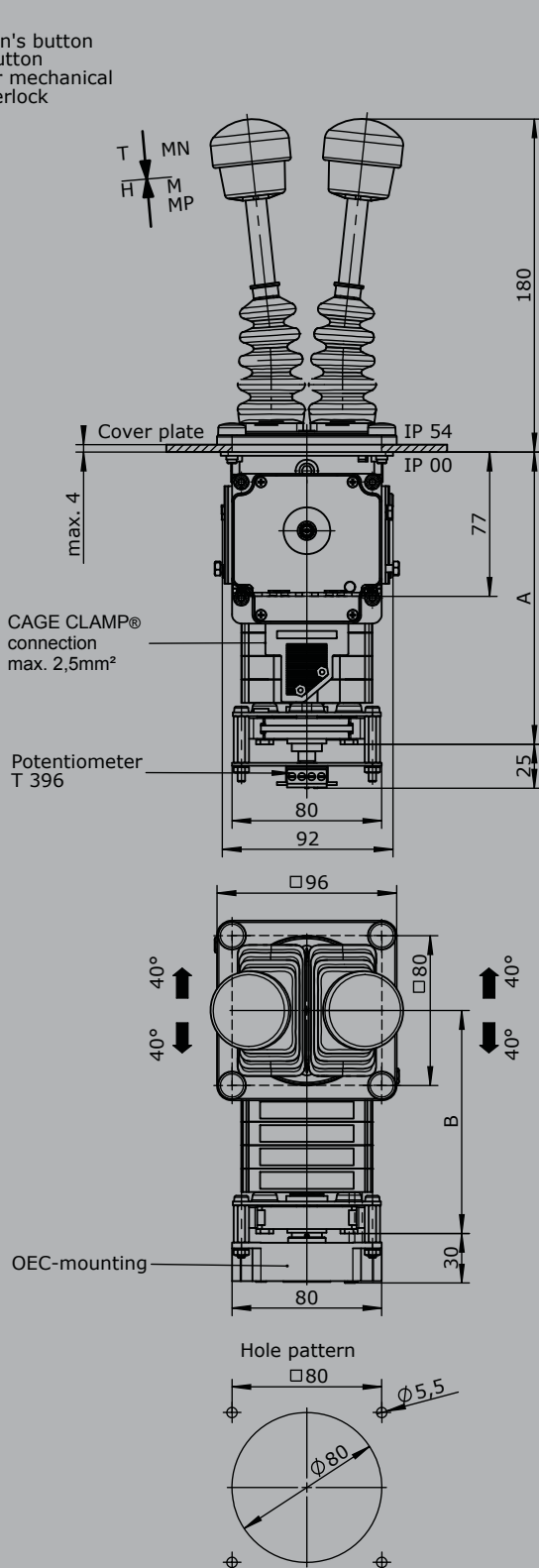
Indicating labels engraved

1

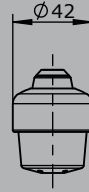
# Double-handle controller

## D64 / DD64

T = Dead man's button  
H = Signal button  
M = Latch for mechanical zero interlock

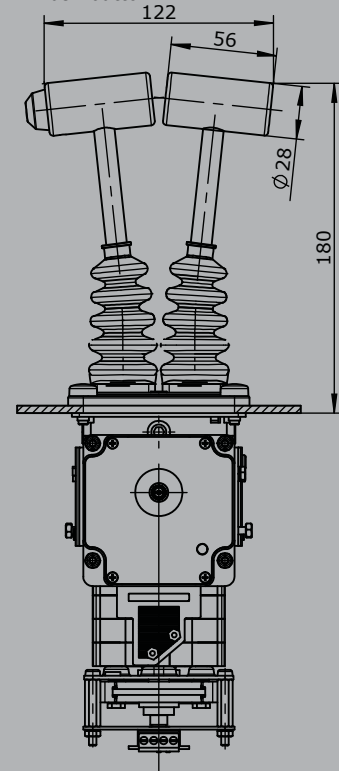


Knob solid  
D = Push button



To build in:  
Direction 1-2  
Direction 3-4

T - grip  
D = Push button



Type	No. of contacts	Dim. A	Dim. B
01	2	119	82
02	4	131	94
03	6	144	107
04	8	156	119
05	10	169	132
06	12	181	144