

# Palm grip

## B7 / B8



The palm grip B7 / B8 has different equipment options for many requirements. It is compatible with our multi-axis controller or mounted on hydraulic drives. The palm grip has a highly flexible single wire (0,1mm<sup>2</sup>, 450mm long). The mounting piece for the drive rod can be supplied with a tapped hole 12mm (standard) or 10mm.

### Technical data

Operating temperature	-40°C to +60°C
Degree of protection	IP65
Contact complement	1,5A 24V DC13 (*1 0,1A 24V DC13)



Example

	B7	- 2D	W	K	SE	S9	PA13	- X
<b>Basic unit</b>								
B7	Palm grip left							
B8	Palm grip right							
<b>Digital actuating element</b>								
D	Push button							
	Colour: red, black, yellow, green, white, orange							
D	Push button KDA21 *1							
	Colour: red, black, yellow, green, blue, white, orange							
W	Rocker switch T-0-T							
W	Rocker switch 0-T							
W	Rocker switch R-0-T							
W	Rocker switch R-0-R							
W	Rocker switch 0-R							
W	Rocker switch R-R							
K	Lever switch							
A13	Rotary grip T-0-T							
SE	Sensor button capacitive with external control electronics							
S	Sensor button capacitive without external control electronics (Consistent with V85/VV85 and V25 with interface E3xx+E4xx+E5xx+E6xx)							
V	Vibrator Impulse 24V DC ED 100%							
<b>Analog actuating element</b>								
S12	Hall-thumb rocker (see page 122) Output 0,5...2,5...4,5V inverse dual							
V21	Hall-minijoystick (see page 61) Output 0,5...2,5...4,5V inverse dual							
PA13	Rotary grip Potentiometer T375 2x5kOhm with direction contacts							
H13	Hall-Rotary grip Output 0,5...2,5...4,5V inverse dual							

# Palm grip

## B7 / B8

B7 - 2D W K SE S9 PA13 - X

### Special model

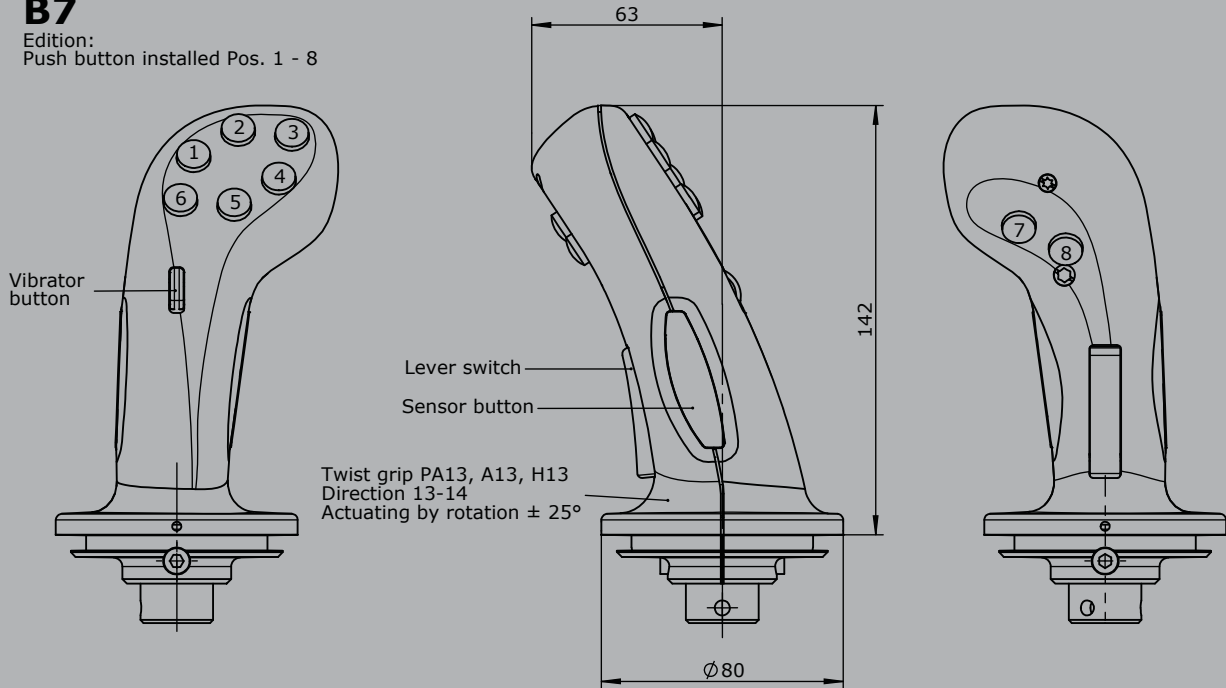
X Special / customer specified

### Attachments

Z01	Bellow KMD 109	10300009
Z02	Bellow KMD 190	10300093
Z03	Rosette KBF 905 with 4 screws M5x15 necessary for bellow KMD 190	5209900404

**B7**

Edition:  
Push button installed Pos. 1 - 8



**B8**

Edition:  
Push button installed Pos. 1 - 8

Edition:  
Multi-axis controller V21  
Push button installed Pos. 5,6,7,8

Edition :  
Hall Rocker switch  
Push button installed Pos. 1,5,6,8

