

# Palm grip B5



The palm grip B5 has different equipment options for many requirements. It is compatible with our multi-axis controller or mounted on hydraulic drives. The palm grip has a highly flexible single wire (4 respectively 8x0,25mm<sup>2</sup>, 450mm long). The mounting piece can be supplied with a tapped hole M10 (standard) or M8.

## Technical data

Operating temperature	-40°C to +60°C
Degree of protection	IP54
Contact complement	3A 24V DC13 (*1 1,5A 24V DC13)



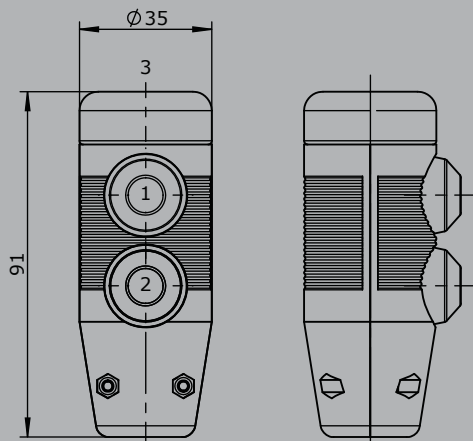
2

Example

B5      - 2D      W      - X

	B5	- 2D	W	- X
<b>Basic unit</b>				
B5 Palm grip				
<b>Digital actuating element</b>				
D Push button top				
D Push button side *1				
W Rocker switch top T-0-T				
W Rocker switch top R-0-T				
W Rocker switch top R-0-R				
T Push button top mechanical operation <i>(Only possible in combination with multi-axis controller or single-axis controller!)</i>				
<b>Special model</b>				
X Special / customer specified				

Edition:  
Push button installed Pos. 1,2,3



Edition:  
Rocker switch installed Pos. 3  
Push button installed Pos. 2

