

Palm grip B24



The palm grip B24 has different equipment options for many requirements. It is compatible with our multi-axis controller or mounted on hydraulic drives. The superior grip surface is framed by an illuminated coloured ring element. The palm grip has a highly flexible single wire (0,1mm², 450mm long). The mounting piece for the drive rod can be supplied with a tapped hole 12mm (standard) or 10mm.

Technical data

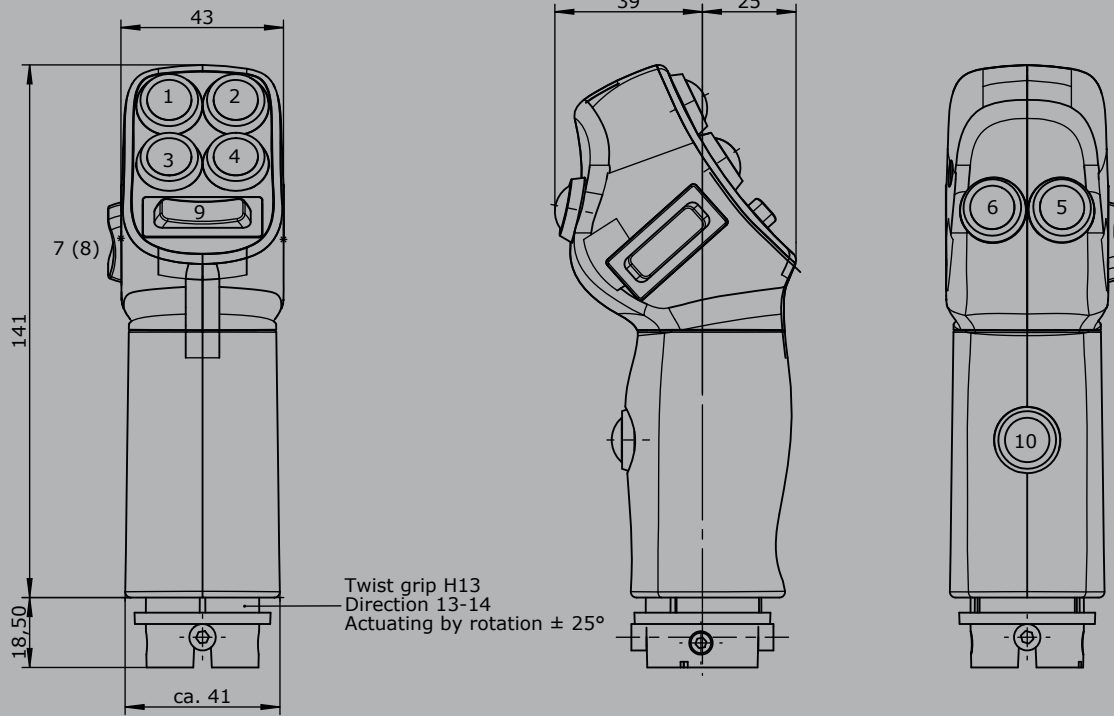
Operating temperature	-40°C to +60°C
Degree of protection	IP54
Contact complement	1,5A 24V DC13 (*1 0,1A 24V DC13)



	B24	- D	Example 2W	V21	- IWH	- X
Basic unit						
B24	Palm grip					
Digital actuating element						
D	Push button KDA21 *1 Colour: red, black, yellow, green, blue, white, orange					
W	Rocker switch T-0-T					
W	Rocker switch 0-T					
W	Rocker switch R-0-T					
W	Rocker switch R-0-R					
W	Rocker switch 0-R					
W	Rocker switch R-R					
SE	Sensor button capacitive with external control electronics					
S	Sensor button capacitive without external control electronics (Consistent with V85/VV85 and V25 with interface E4xx+E5xx)					
Analog actuating element						
V21	Hall-minijoystick (see page 61) Output 0,5...2,5...4,5V inverse dual					
H13	Hall-rotary grip Output 0,5...2,5...4,5V inverse dual					
Additional option						
IWH	Colour ring white, illuminated					
IRD	Colour ring red, illuminated					
IBL	Colour ring blue, illuminated					
WH	Colour ring white					
RD	Colour ring red					
BL	Colour ring blue					
GN	Colour ring green					
YE	Colour ring yellow					
Special model						
X	Special / customer specified					



Edition :
Push button installed Pos. 1 - 6, 10
Rocker switch / taste installed Pos. 7,(8), 9
() left



Edition :
Push button installed Pos. 5,6,10
Rocker switch / taste Pos. 7,(8), 9
multi-axis controller V21 Pos. 11
() left

