

# Palm grip B2



The palm grip B2 has different equipment options for many requirements. It is compatible with our multi-axis controller or mounted on hydraulic drives. The palm grip has a highly flexible cable (8x0,25mm<sup>2</sup>, 450mm long). He can be tilted in any direction by 20 degrees and can lock in this position. The mounting piece can be supplied with a tapped hole M10 (standard) or M8.



## Technical data

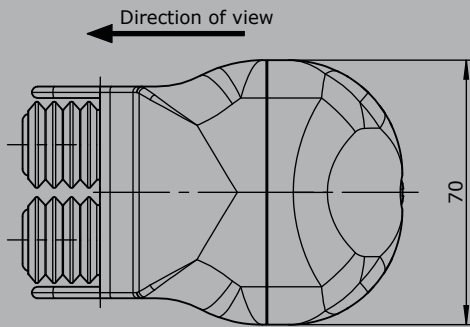
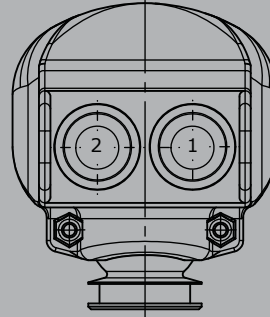
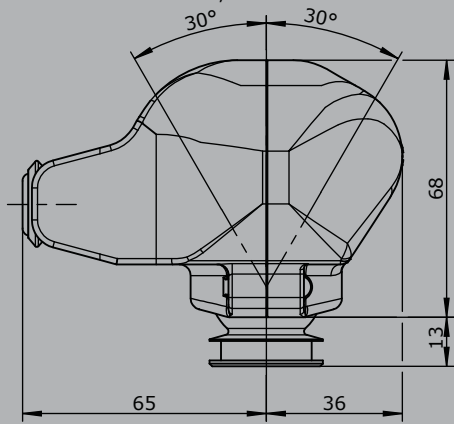
Operating temperature	-40°C to +60°C
Degree of protection	IP54
Contact complement	1,5A 24V DC13 (*1 0,1A 24V DC13)

		B2	Example - 2D	PA15	- X
<b>Basic unit</b>					
B2	Palm grip				
<b>Digital actuating element</b>					
D	Push button KDA/70				
D	Push button KDA21 *1				
	Colour: red, black, yellow, green, blue, white, orange				
A15	2 push button Pos. 1+2 interlocked				
<b>Analog actuating element</b>					
PA15	Push button analog Pos. 1+2				
	2 potentiometer T301 2x5kOhm with direction contacts				
<b>Special model</b>					
X	Special / customer specified				

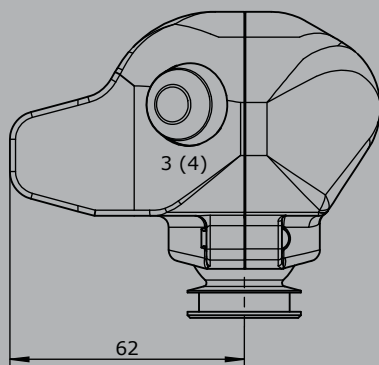


**B2**

Edition:  
Pusher installed Pos. 1,2



Edition:  
Push button KDA / 70  
installed Pos. 1,2,3,4



Edition:  
Push button KDA 21  
installed 1,2,3,4

