

# Palm grip B10



The palm grip B10 has different equipment options for many requirements. It is compatible with our double-handle controller or mounted on hydraulic drives. The palm grip has a highly flexible single wire (0,1mm<sup>2</sup>, 450mm long). The mounting piece for the drive rod can be supplied with a tapped hole 10mm.

## Technical data

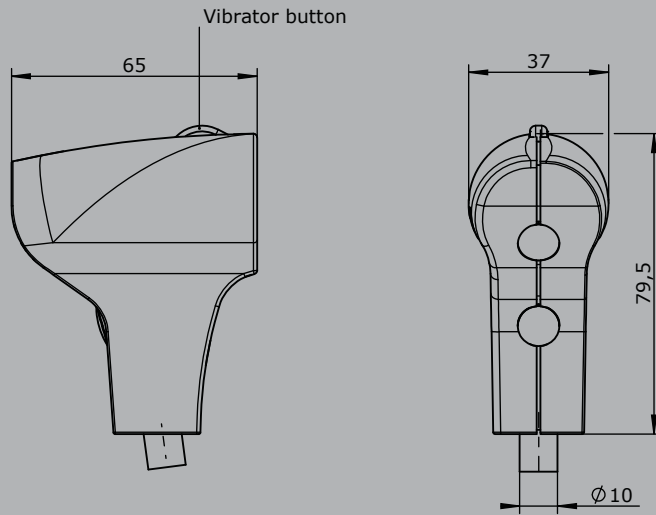
Operating temperature	-40°C to +60°C
Degree of protection	IP65
Contact complement	1,5A 24V DC13 (*1 0,1A 24V DC13)



	B10AL	- 3D	W	V	- X
<b>Basic unit</b>					
B10L	Palm grip left				
B10R	Palm grip right				
B10AL	Palm grip left with growing part				
B10AR	Palm grip right with growing part				
<b>Digital actuating element</b>					
D	Push button KDA21 *1 Colour: red, black, yellow, green, blue, white, orange				
W*	Rocker switch T-0-T				
W*	Rocker switch 0-T				
W*	Rocker switch R-0-T				
W*	Rocker switch R-0-R				
W*	Rocker switch 0-R				
W*	Rocker switch R-R				
<i>*Only possible with version with attachment!</i>					
V	Vibration pulse 24V DC ED 100%				
<b>Special model</b>					
X	Special / customer specified				

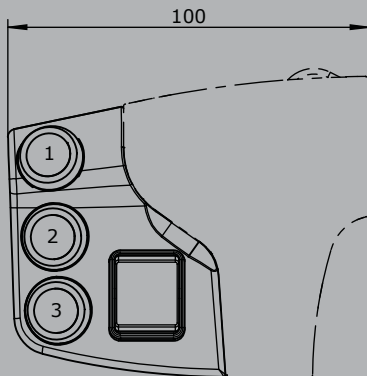
Example

## B10



## B10A

Edition installed left:  
Push button installed Pos. 1,2,3  
Rocker switch



Edition installed right:  
Push button installed Pos. 4,5,6  
Rocker switch

